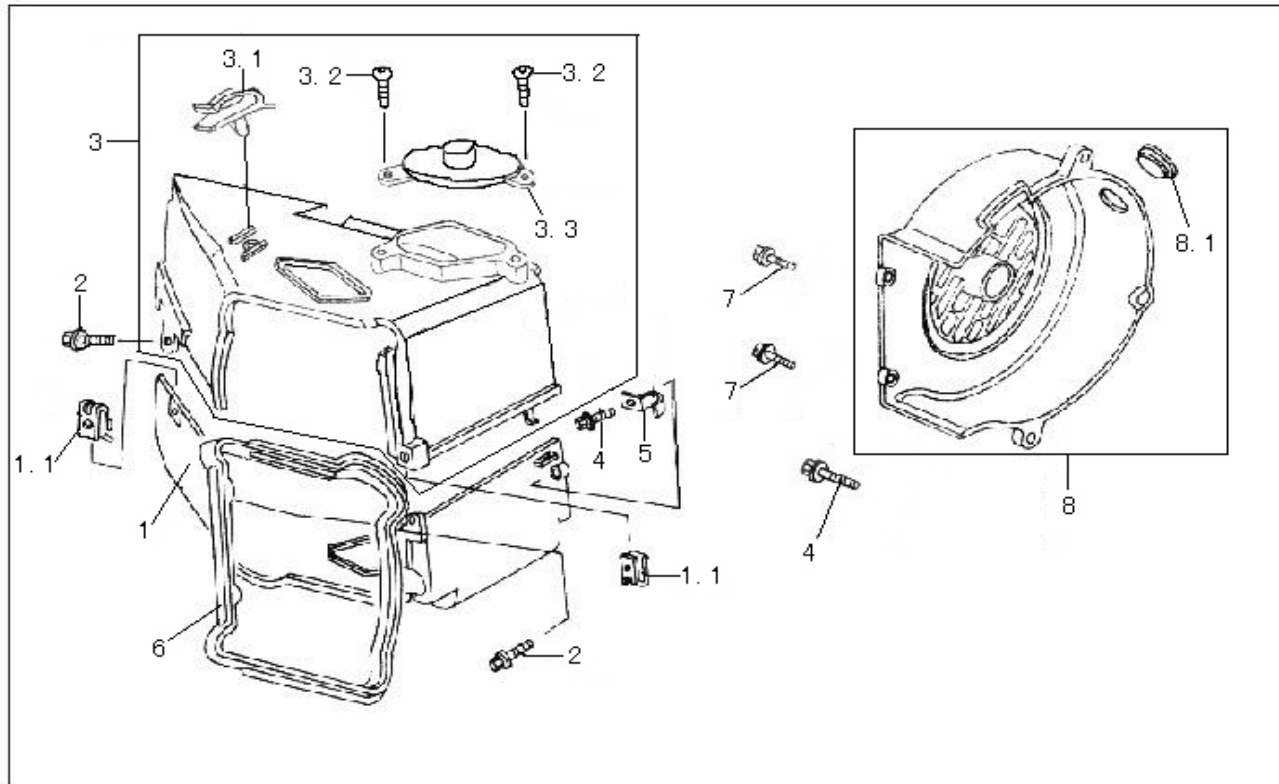


**F1 Cover breathe & Cover shroud**

进气罩·导风罩

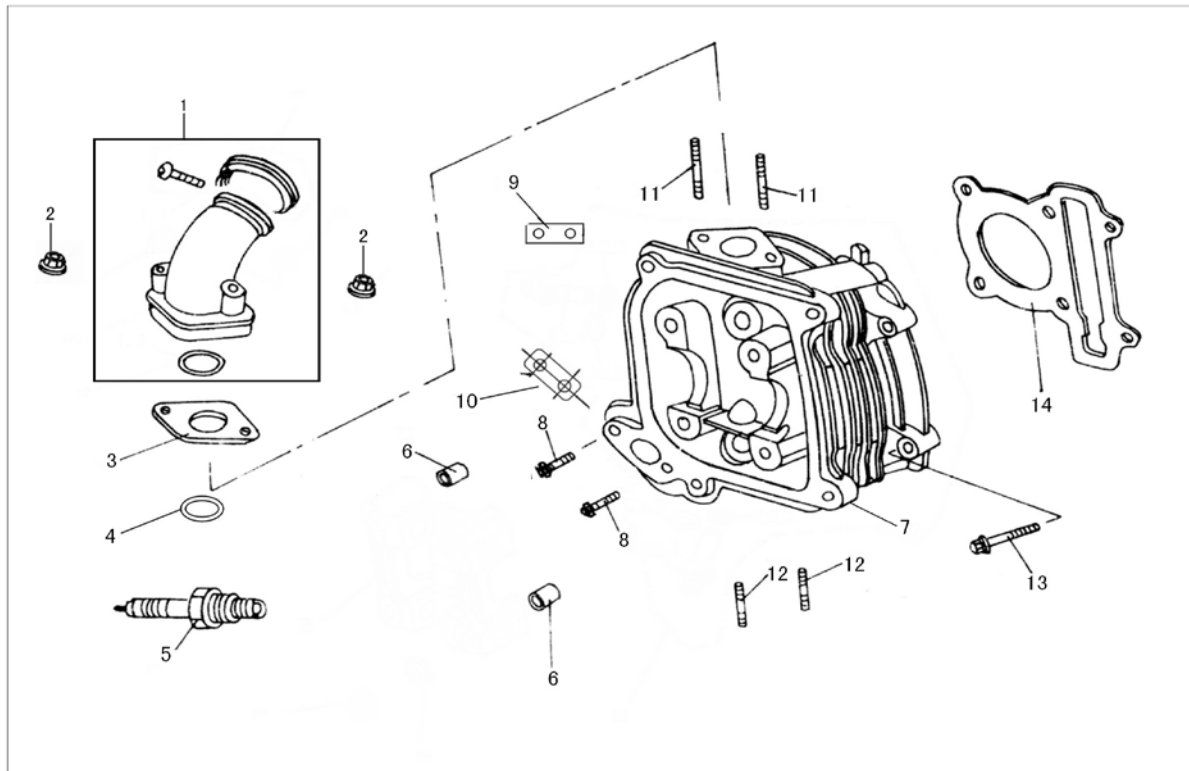


页码	序号	零部件图号	英文名称
Page	NO.	Component and Parts No.	English Name
F1	1	119020-139QMA-0000	Shroud assy, Nether
F1	1.1	119040-139QMA-0000	Shroud
F1	2	GB/T5787-M6×16	Blot M6×16
F1	3	119010-139QMA-0000	Shroud assy, Up
F1	3.1	119011-139QMA-0000	Tube Comp
F1	3.2	GB/T845-ST4.2×13	Screw Tapping ST4.2×13
F1	3.3	119012-139QMA-0000	Tensioner Cover
F1	4	GB/T5787-M6×25	Blot M6×25
F1	5	119002-139QMA-0000	Overflow tube clip
F1	6	119001-139QMA-0000	Shroud gasket
F1	7	GB/T820-M5×16	Screw , TappingST5×16
F1	8	119030-139QMA-0000	Intake cover assy.
F1	8.1	119031-139QMA-0000	Gremmet Observe

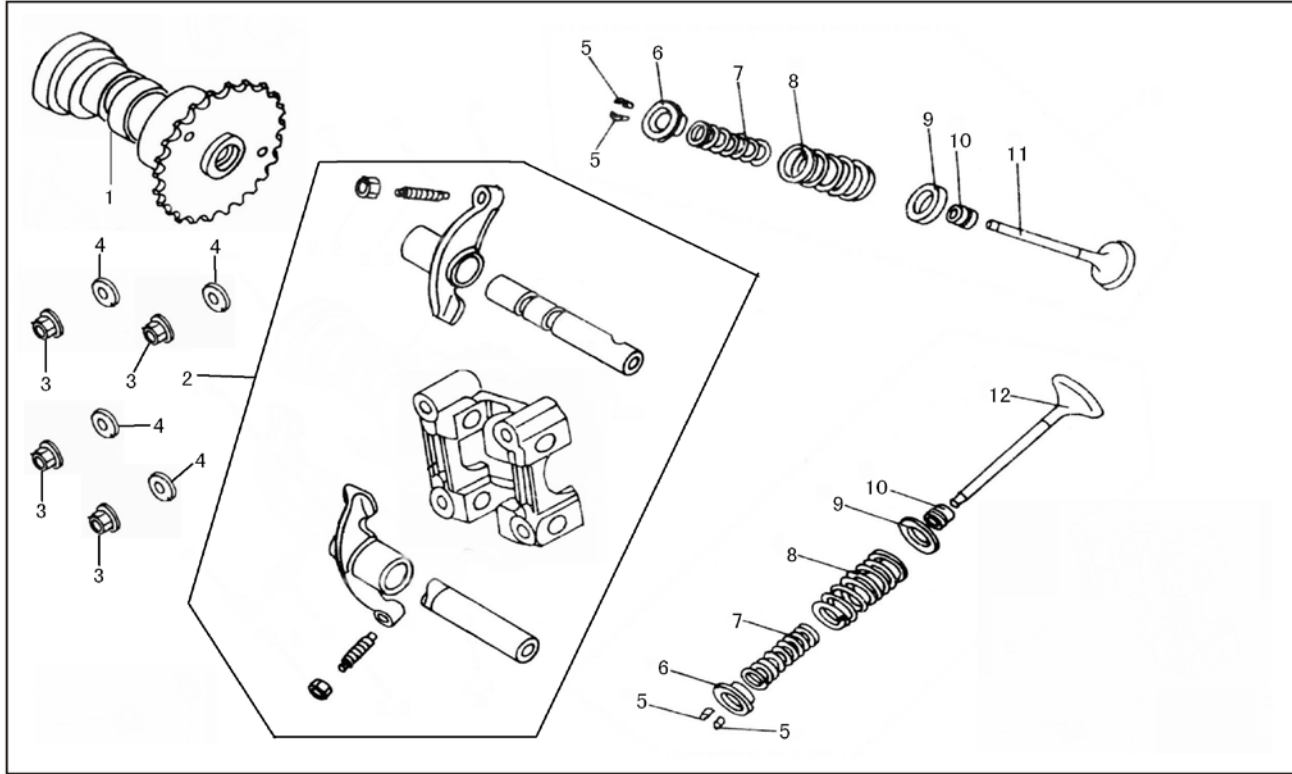
F2

# Cylinder Head

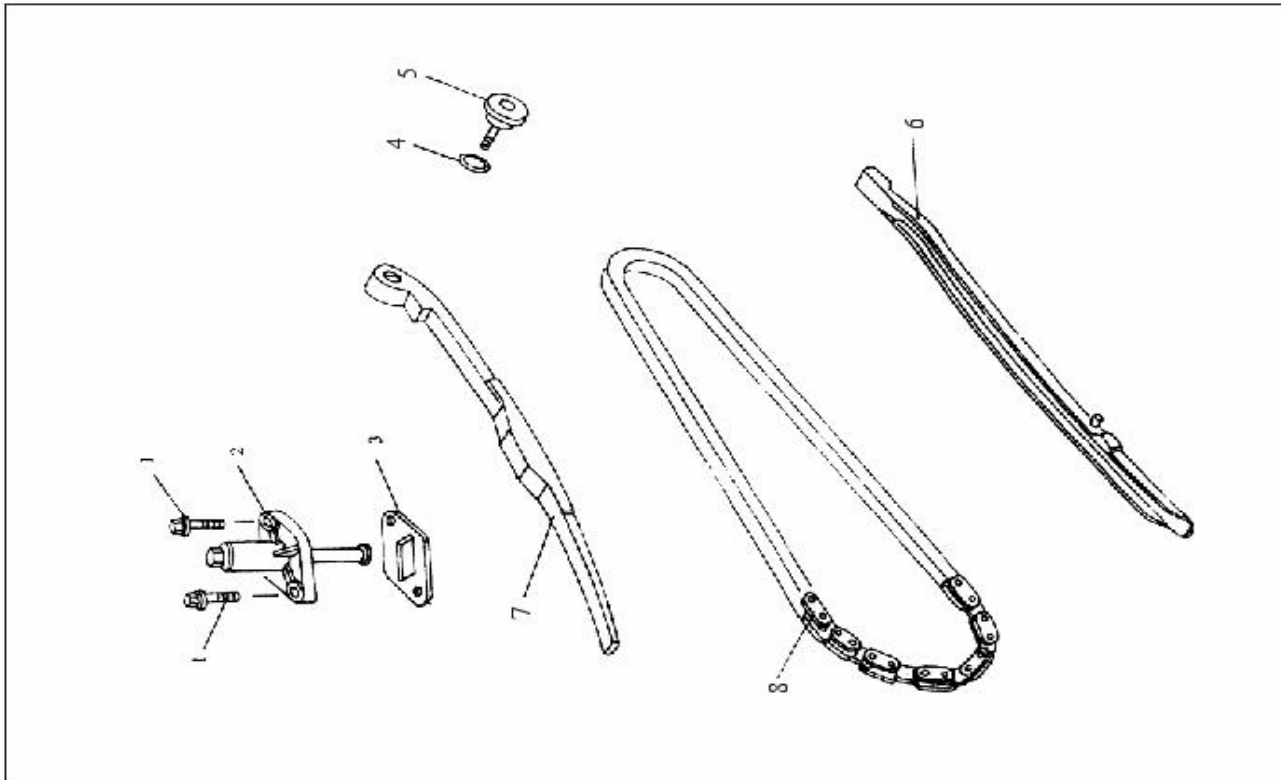
气  
缸  
头



页码	序号	零部件图号	英文名称
Page	NO.	Component and Parts No.	English Name
F2	1	101302-139QMA-0000	Carburetor joint
F2	2	GB/T6177.1-M6	Nut M6
F2	3	101305-139QMA-0000	Insulator carburetor
F2	4	GB/T3452.1-20.6×1.9	Insulator O-Ring 20.6×1.9
F2	5	101201-139QMA-0000	Spark plug
F2	6	101204-139QMA-0000	Dowel Pin
F2	7	101210-139QMA-0000	Cylinder head assy.
F2	8	GB/T5787-M6×12	Bolt M6×12
F2	9	101208-139QMA-0000	Cap Rubber Washer
F2	10	101207-139QMA-0000	Supply air hole cover, cylinder head
F2	11	101301-139QMA-0000	Carburetor Bolt Stud M6×63
F2	12	101202-139QMA-0000	Bolt Exhaust Muffler M6×32
F2	13	GB/T5787-M6×85	Bolt M6×85
F2	14	101205-139QMA-0000	Cylinder head gasket



页码	序号	零部件图号	英文名称
Page	NO.	Component and Parts No.	English Name
F3	1	118100-139QMA-0000	Camshaft Comp.
F3	2	101430-139QMA-0000	Camshaft fixing assy.
F3	3	101203-139QMA-0000	Cylinder Head Nut M7
F3	4	GB/T97.1-7.3×16×2	Cylinder Head Washer7.3×16×2
F3	5	101408-139QMA-0000	Cotter,Valve
F3	6	101407-139QMA-0000	Upper Pedestal,Spring
F3	7	101405-139QMA-0000	Spring,Valve Inner
F3	8	101406-139QMA-0000	Spring,Valve Outer
F3	9	101404-139QMA-0000	Under Pedestal,Spring
F3	10	GB13871-5X10.5X8.3	Seal Assy,Valve5×10.5×8.3
F3	11	101402-139QMA-0000	Valve Intake
F3	12	101401-139QMA-0000	Valve Exhaust

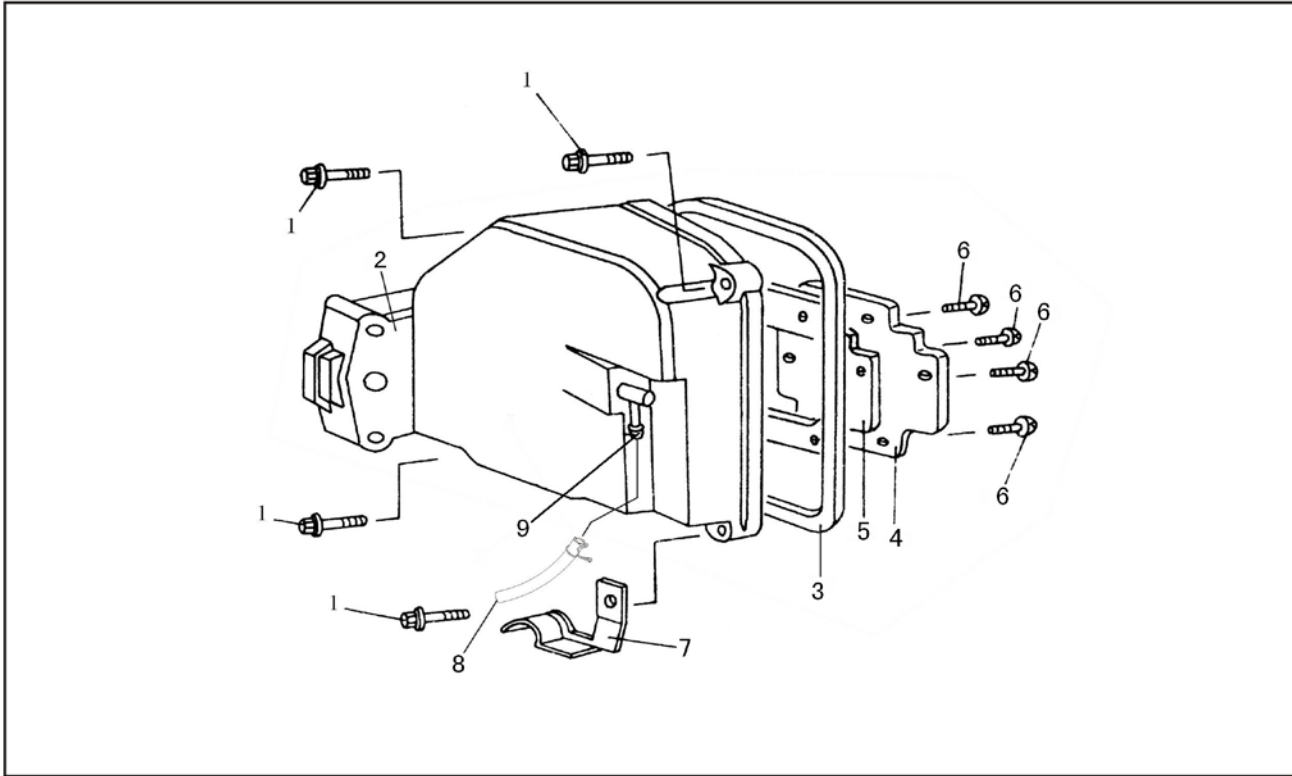


页码	序号	零部件图号	英文名称
Page	NO.	Component and Parts No.	English Name
F4	1	GB/T5787-M6×20	Bolt M6×20
F4	2	118300-139QMA-0000	Tensioner assy.
F4	3	118002-139QMA-0000	Gasket, tensioner
F4	4	GB/T3452.1-15.2X1.5	O-Ring 15.2×1.5
F4	5	118001-139QMA-0000	Screw
F4	6	118020-139QMA-0000	Guide plate assy.
F4	7	118010-139QMA-0000	Tensioner Assy
F4	8	118200-139QMA-0000	Timing chain

F5

Cylinder Head Cover

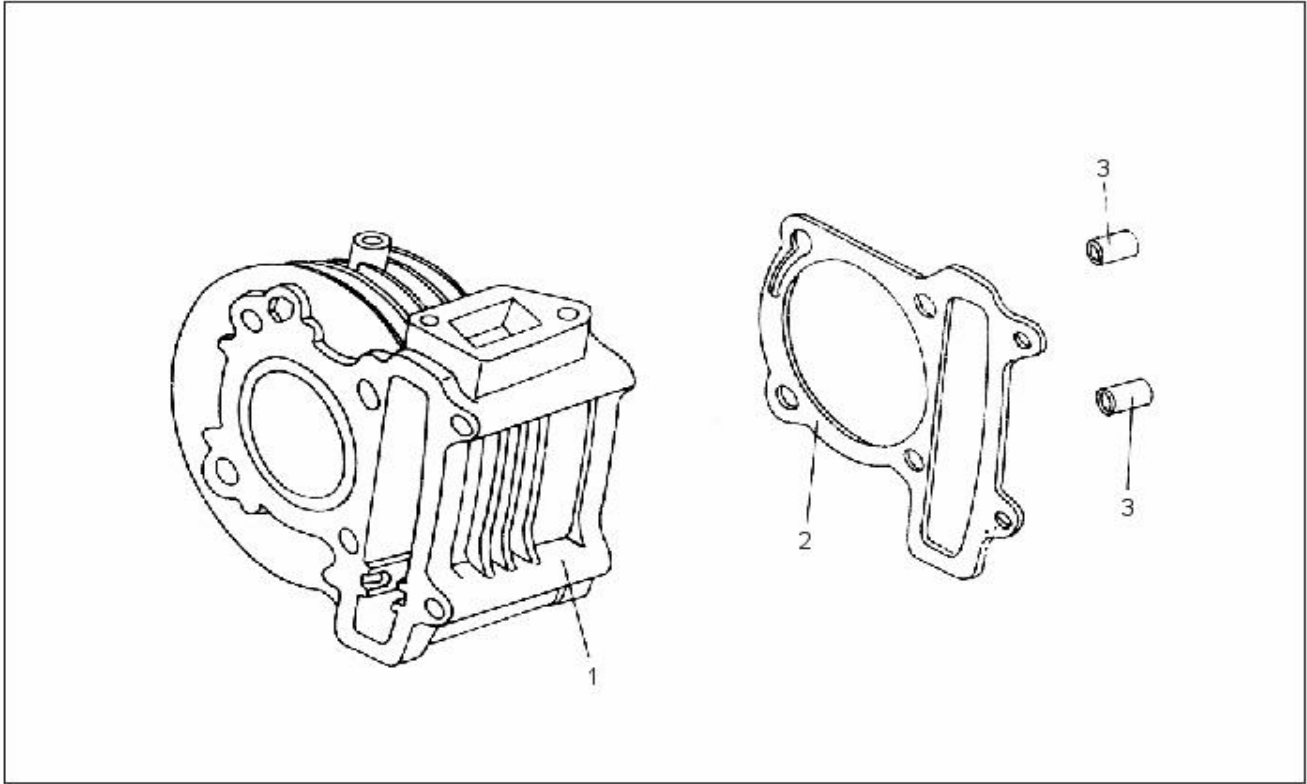
气缸头盖



页码	序号	零部件图号	英文名称
Page	NO.	Component and Parts No.	English Name
F5	1	GB/T5787-M6×25	Bolt M6×25
F5	2	101101-139QMA-0000	Cylinder head cover
F5	3	101102-139QMA-0000	Gasket, cylinder head cover
F5	4	101103-139QMA-0000	Ventilating Chamber Cover
F5	5	101104-139QMA-0000	Venlilating Chamber Gasket
F5	6	GB/T818-M4×8	Bolt 4×8
F5	7	101107-139QMA-0000	Air tube clip
F5	8	101105-139QMA-0000	Air tube
F5	9	101110-139QMA-0000	Air tube jointassy

**F6** **Cylinder**

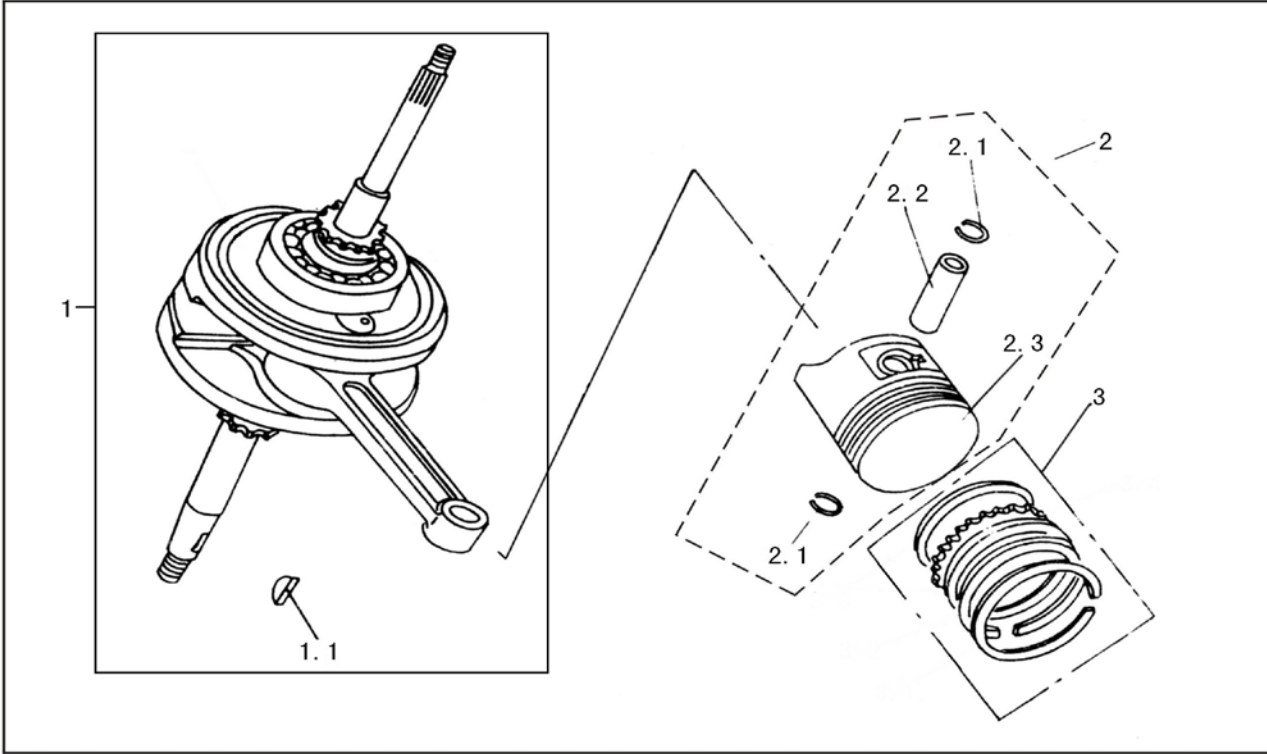
气  
缸



页码	序号	零部件图号	英文名称
Page	NO.	Component and Parts No.	English Name
F6	1	102010-139QMA-0000	Cylinder assy.
F6	2	102003-139QMA-0000	Cylinder gasket
F6	3	101204-139QMA-0000	Dowel pin8×14

**F7** Crankshaft Assy. & Piston

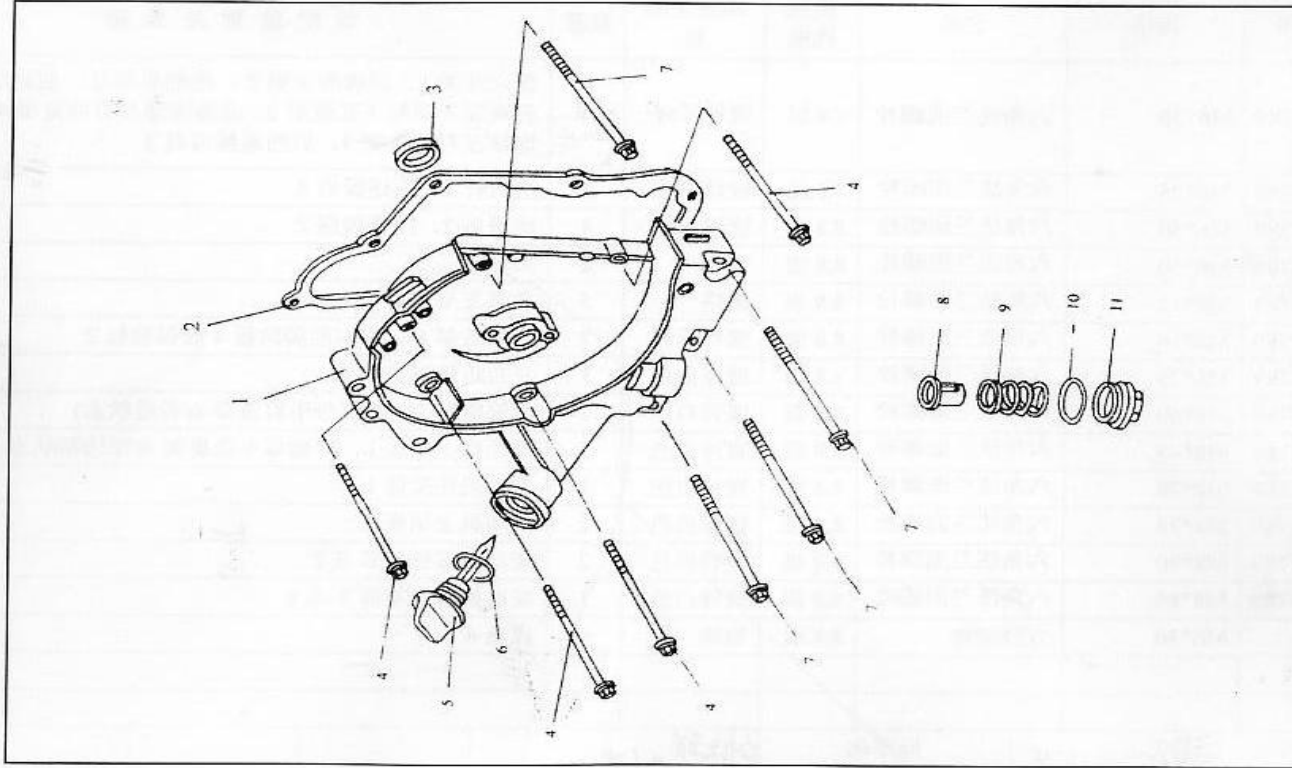
曲轴  
·  
活塞



页码	序号	零部件图号	英文名称
Page	NO.	Component and Parts No.	English Name
F7	1	107100-139QMA-0000	Crankshaft Connecting Assy
F7	1.1	107001-139QMA-0000	Woodruff key
F7	2	107200-139QMA-0000	Piston assy.
F7	2.1	GB/T895.1-15	Piston pin clip 15
F7	2.2	107202-139QMA-0000	Piston Pin
F7	2.3	107201-139QMA-0000	Piston
F7	3	107210-139QMA-0000	Piston ring assy.

**F8** Right Cover

右盖

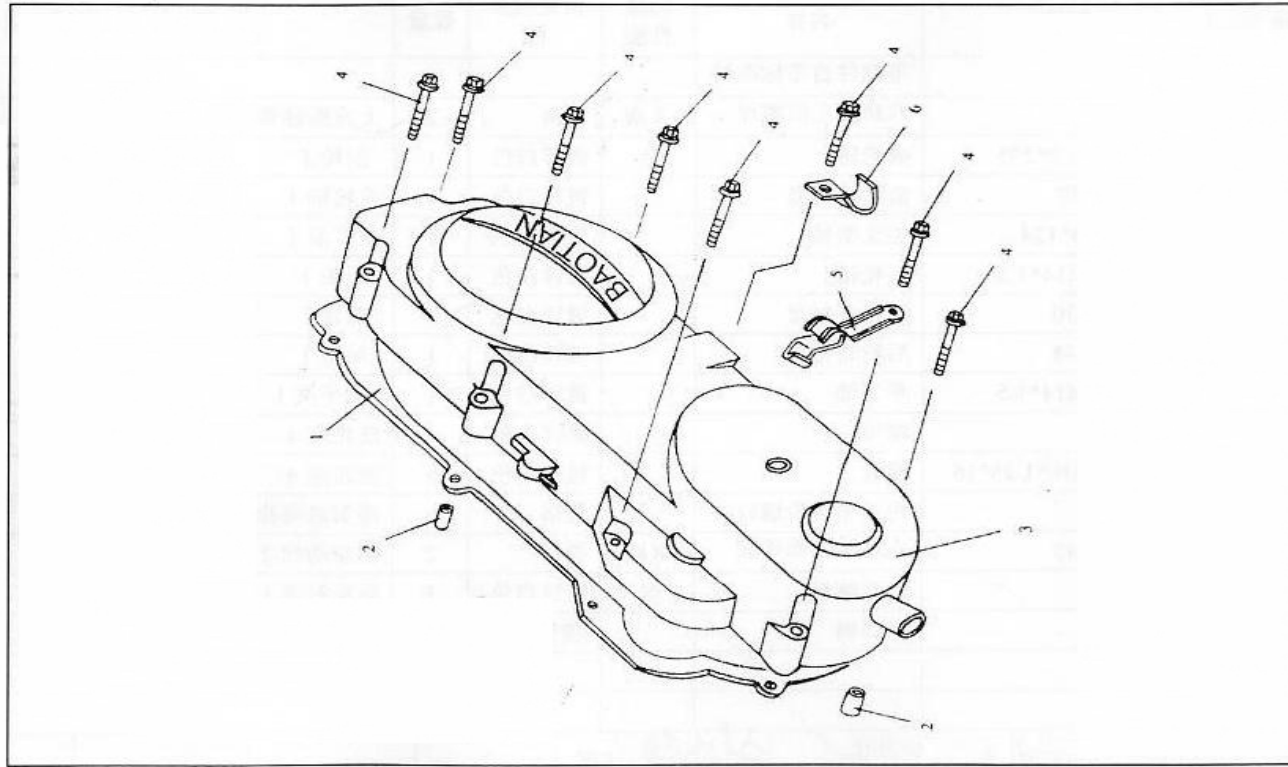


页码	序号	零部件图号	英文名称
Page	NO.	Component and Parts No.	English Name
F8	1	106110-139QMA-0000	Right Cover
F8	2	106001-139QMA-0000	Gasket,R-Cover
F8	3	GB13871-16.4X30X5	Oil Seal Assy, R-Cover16.4×30×5
F8	4	GB/T5787-M6×85	Bolt M6×85
F8	5	106101-152QMI-0000	Gauge, Oil Level
F8	6	GB/T3452.1-18×3	O-Ring, Oil Level 18×3
F8	7	GB/T5787-M6×100	Bolt M6×100
F8	8	106210-139QMA-0000	Oil Filter
F8	9	106202-139QMA-0000	Spring,Oil Filter
F8	10	GB/T3452.1-30.8×3	O-ring, Oil Filter Cover30.8×3
F8	11	106201-139QMA-0000	Cap,Oil Filter



**F9 Left Cover**

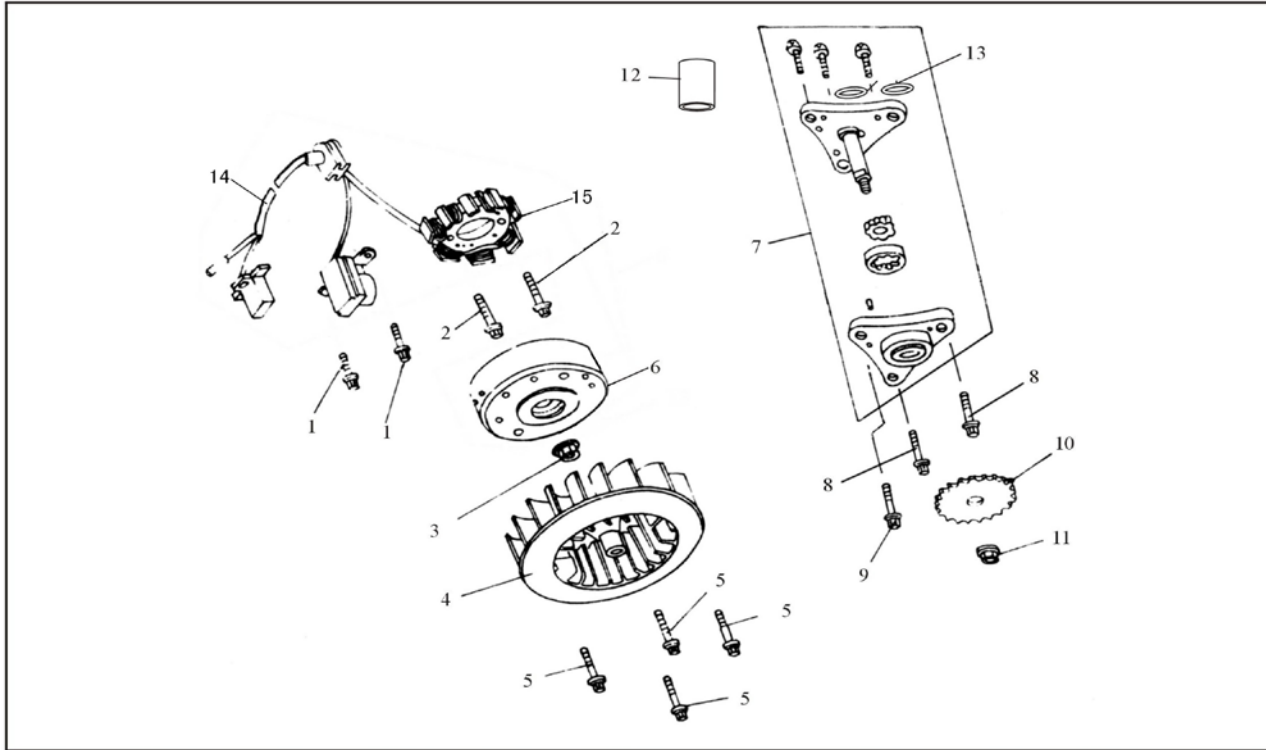
左  
盖



页码	序号	零部件图号	英文名称
Page	NO.	Component and Parts No.	English Name
F9	1	103001-139QMA-0200	Gasket, L-Cover
F9	2	101204-139QMA-0000	Dowel Pin 8×Φ6.3×14
F9	3	103101-139QMA-A-0000	Left Cover
F9	4	GB/T5787-M6×35	Bolt M6×35
F9	5	103004-139QMA-0000	Clamper Assy
F9	6	103003-139QMA-0000	Clamper, Braker Cable

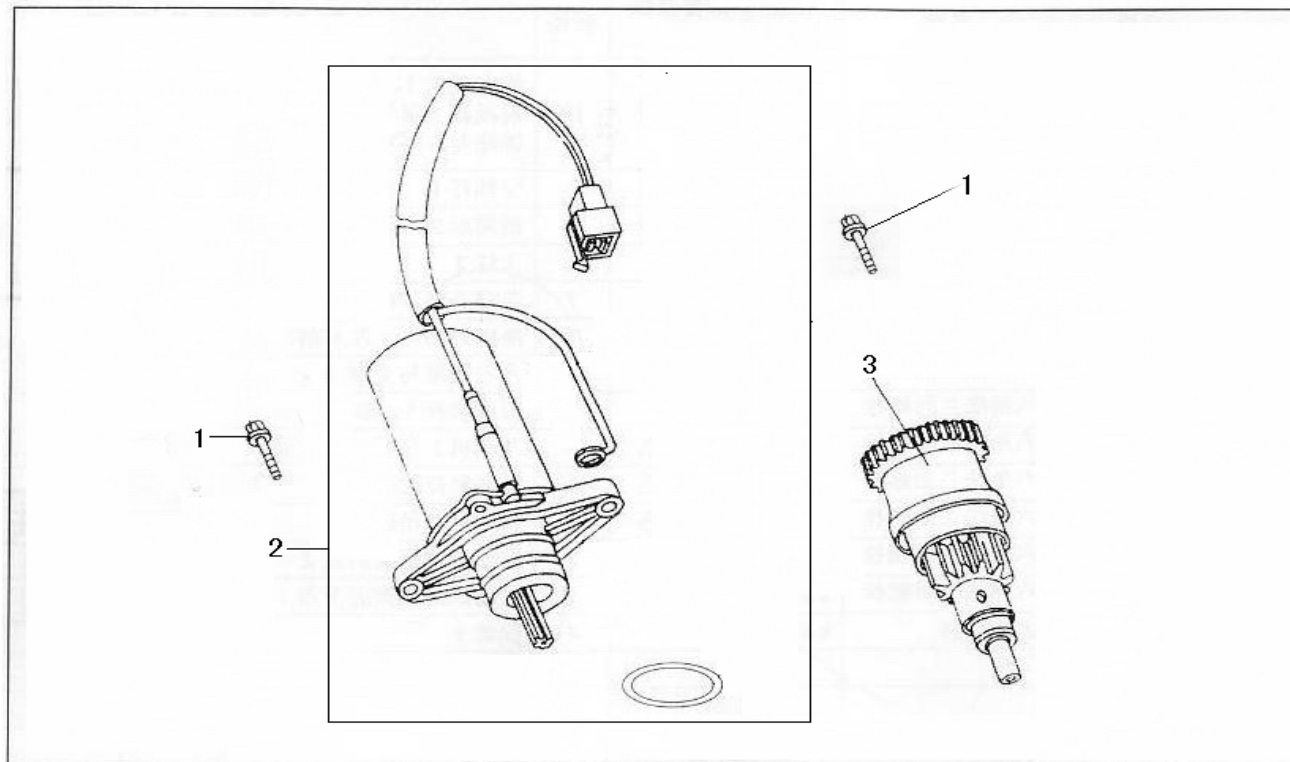
**F10** **Magneto & Oil Pump**

磁电机 · 机油泵



页码	序号	零部件图号	英文名称
Page	NO.	Component and Parts No.	English Name
F10	1	GB/T5783-M5×12	Bolt M5×12
F10	2	GB/T5787-M6×22	Bolt M6×22
F10	3	GB/T6177.1-M10	Right Nut, Cankshaft M10
F10	4	119050-139QMA-0000	Cooler fan assy.
F10	5	GB/T5787-M6×16	Bolt M6×16
F10	6	111120-139QMA-0000	Flywheel Assy.
F10	7	108120-139QMA-0000	Oil Pump Assy.
F10	8	GB/T5787-M6×22	Bolt M6×22
F10	9	GB/T5787-M6×25	Bolt M6×25
F10	10	108110-139QMA-0000	Pulley assy driven, oil pump
F10	11	GB/T6177.1-M6	Nut M6
F10	12	GB/T119.1-φ8×12	Oil Pump Dowel Pin φ8×12
F10	13	GB/T3452.1-9×1.7	O ring, oil pump9×1.7
F10	14	03610-139QMA-0000	Trigger Assy.
F10	15	111110-139QMA-0000	Stator Assy.

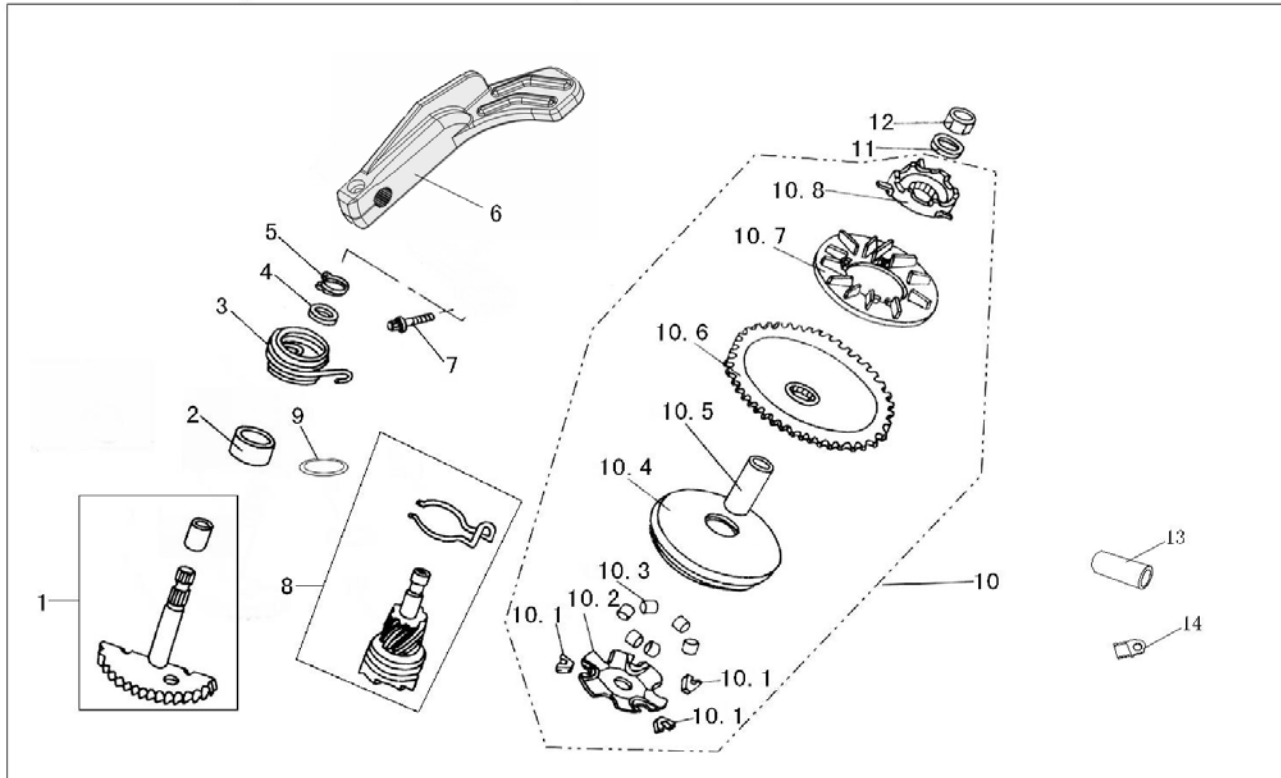
起  
动  
电  
机  
/  
单  
向  
器



页码	序号	零部件图号	英文名称
Page	NO.	Component and Parts No.	English Name
F11	1	GB/T5787-M6×25	Bolt M6×25
F11	2	109110-139QMA-0000	Starter Motor Assy
F11	3	109310-139QMA-0000	Single director

# F12 Driver assy./Foot-starter assy.

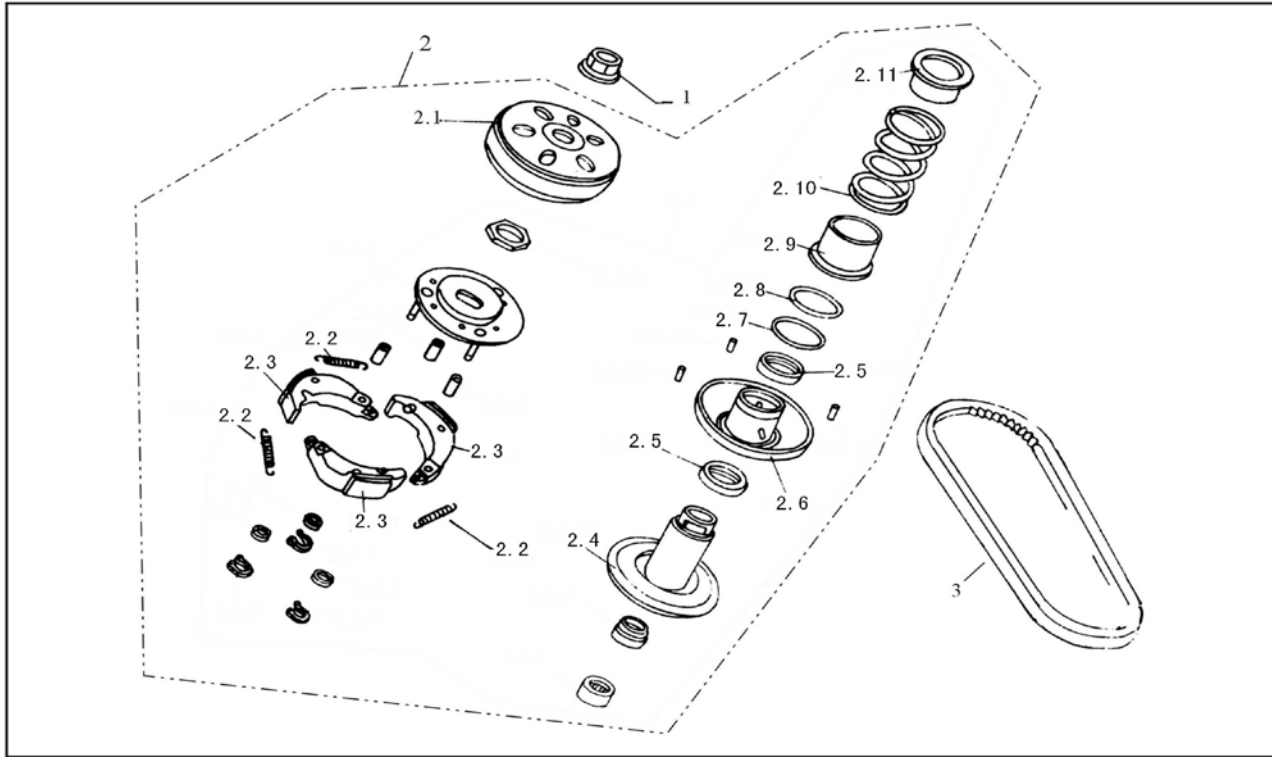
主动轮  
脚起  
动装置



页码	序号	零部件图号	英文名称
Page	NO.	Component and Parts No.	English Name
F12	1	110211-139QMA-0000	Kick Starter Shaft Comp.
F12	2	110202-139QMA-0000	Bush $\Phi 34 \times 38 \times 4.5$
F12	3	110201-139QMA-0000	Spring Torsion
F12	4	110216-139QMA-0000	Washer 14*24*2
F12	5	GB/T849.1- $\phi 14$	Clip 14
F12	6	110310-1E40QMA-0100	Arm Comp, Kick Starter
F12	7	GB/T5783-M6 $\times$ 22	Bolt M6 $\times$ 22
F12	8	110111-139QMA-0000	Gear Comp Idle
F12	9	110101-139QMA-0000	Washer 14
F12	10	114100-139QMA-0000	Pulley assy driver
F12	10,1	114103-139QMA-0000	Buffer Plate Drive
F12	10,2	114101-139QMA-0000	Plate Ramp
F12	10,3	114120-139QMA-0000	Reller Set
F12	10,4	114110-139QMA-0000	Right Part Driver
F12	10,5	114102-139QMA-0000	Bush Driver
F12	10,6	114104-139QMA-0000	Left Part Driver
F12	10,7	114105-139QMA-0000	Fan Driver
F12	10,8	114106-139QMA-0000	Fan Starter Driver Claw
F12	11	GB/T96- $\phi 10$	Washer 10
F12	12	GB/T6177.1-M12	Nut M 12
F12	13	110215-139QMA-0000	Kick Starter Shaft bush
F12	14	104003-156FMI-0000	Lead press board

**F13 Belt & Driven Assy.**

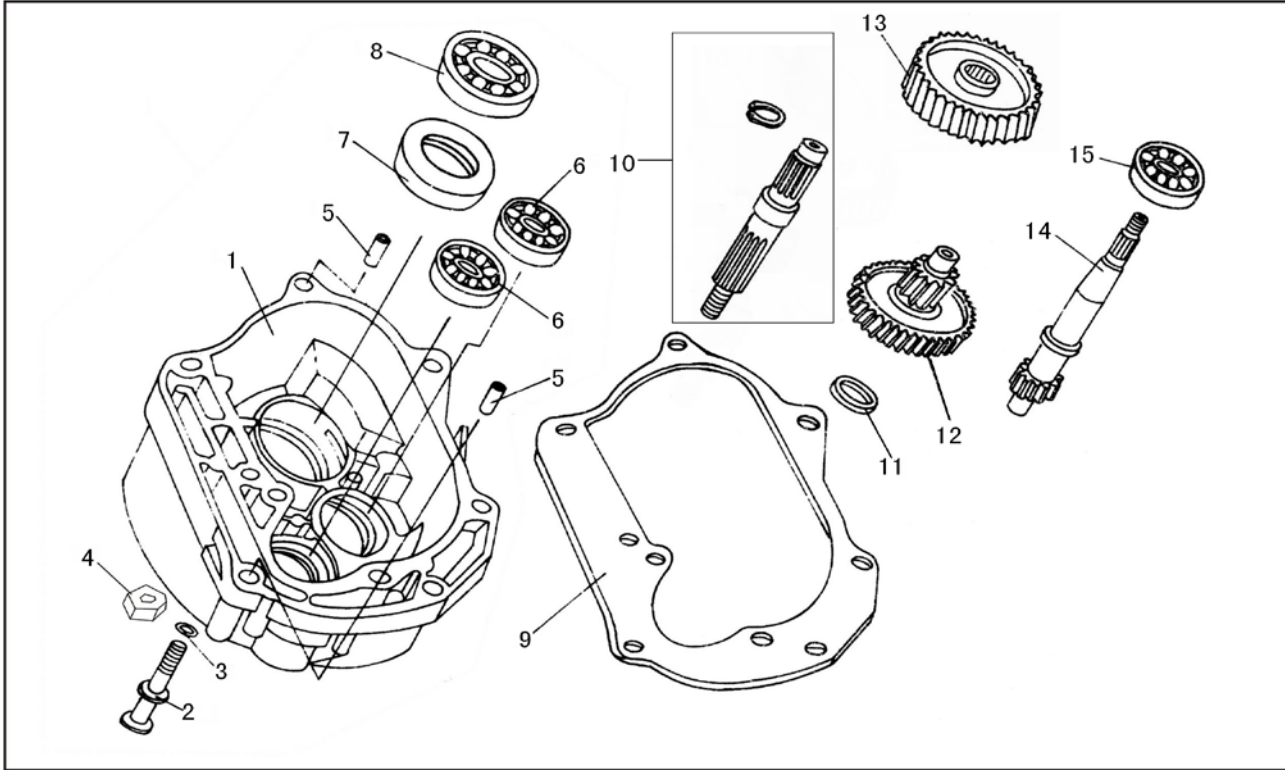
皮带  
·  
从动轮



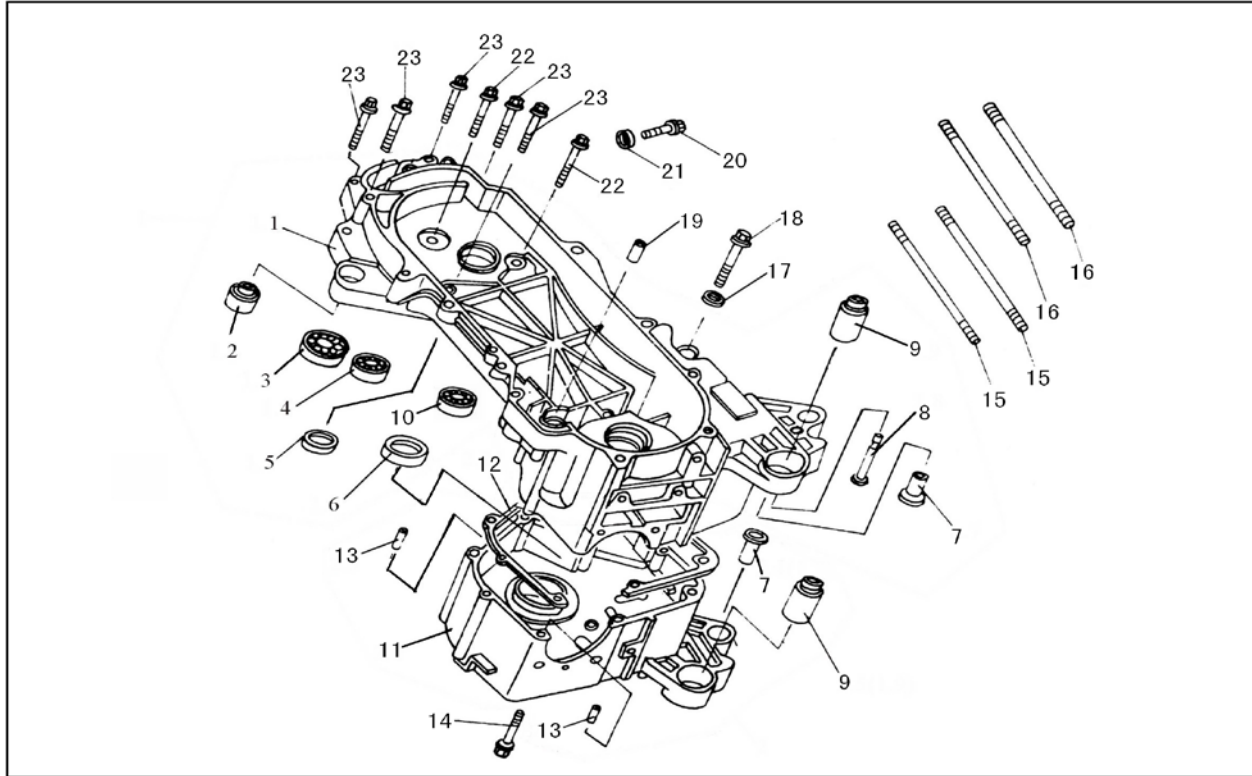
页码	序号	零部件图号	英文名称
Page	NO.	Component and Parts No.	English Name
F13	1	GB/T6177.1-M10	Nut M10
F13	2	114200-139QMA-0000	Driver Pulley assy
F13	2.1	114300-139QMA-0000	Outer Clutch Assy
F13	2.2	114233-139QMA-0000	Sping , Clutch
F13	2.3	114231-139QMA-0000	Waiyht , Clutch
F13	2.4	114210-139QMA-0000	Right Comp , Driven
F13	2.5	114203-139QMA-0000	Oil Seal Assy , Driven(34×39×3)
F13	2.6	114220-139QMA-0000	Left Lemp , Driven
F13	2.7	GB/T3452.1-39.8×2.2	Right O-Ring , Driven39.8×2.2
F13	2.8	GB/T3452.1-36×1.5	Left O-Ring , Spring36×1.5
F13	2.9	114202-139QMA-0000	Right Seat , Spring
F13	2.10	114201-139QMA-0000	Sping ,Driven
F13	2.11	114206-139QMA-0000	Left Seats , Spring
F13	3	14001-139QMA-0300	V-bolt

**F14****Rear Transmission**

后传动机构



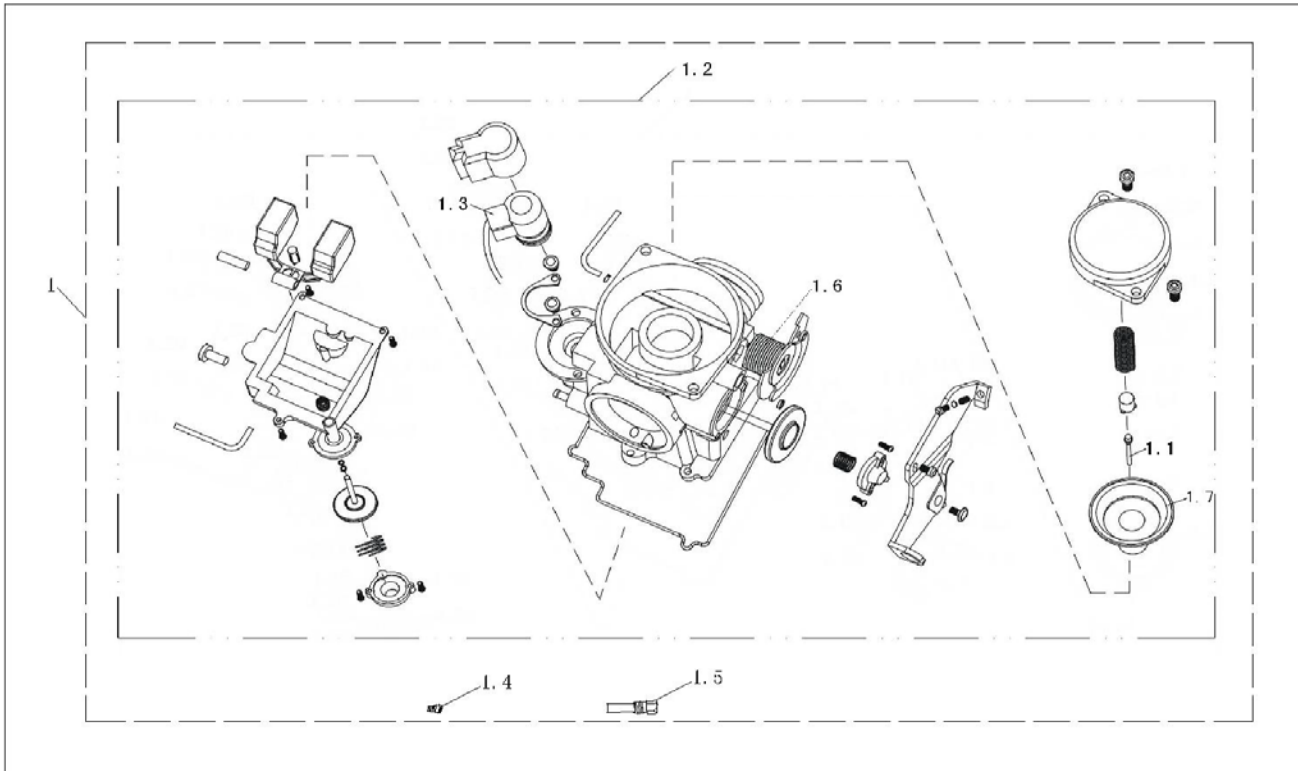
页码	序号	零部件图号	英文名称
Page	NO.	Component and Parts No.	English Name
F14	1	115101-139QMA-A-0000	Rear Transmission Box
F14	2	115102-139QMA-0100	Brake shoes fixing shaft
F14	3	GB/T3452.1-7.5×1.5	O ring, brake shoe stem7.5×1.5
F14	4	GB/T6187.1-M8	Nut M8
F14	5	115004-139QMA-0000	Pin, Rear Transmission Box
F14	6	GB276-6201/P6	Bearing 6201/P6
F14	7	GB13871-27X42X7	Oil Seal Assy27×42×7
F14	8	GB276-6004-2RS	Bearing 6004-2RS
F14	9	115005-139QMA-0000	Gasket, Rear Cover
F14	10	115002-139QMA-0100	Output spline shaft
F14	11	115006-139QMA-0000	Middle gear assy.
F14	12	115010-139QMA-0100	Counter, Shaft Comp
F14	13	115003-139QMA-0100	Output gear
F14	14	115001-139QMA-0100	Input gear
F14	15	GB276-6303×3-2/P63	Left Bearing, Shaft, Drive6303×3-2/P63



页码	序号	零部件图号	英文名称
Page	NO.	Component and Parts No.	English Name
F15	1	104110-139QMA-0200	Left crankcase
F15	2	104130-139QMA-0000	Bush Harge
F15	3	GB276-6203/P6	Bearing 6203/P6
F15	4	GB276-6201/P6	Bearing 6201/P6
F15	5	GB13871-17X30X6	Oil seal, input gear 17×30×6
F15	6	GB13871-19.8×30×5	Left oil seal, crankcase 19.8×30×5
F15	7	104102-139QMA-0000	Main stand bracket fixing bush
F15	8	104104-139QMA-0000	Fixing shaft, main stand spring
F15	9	104120-139QMA-0000	Bush, front stand assy.
F15	10	GB276-6303*3-2/P63	Bearing 6303/P6
F15	11	105110-139QMA-0000	R.Crankcase assy
F15	12	104002-139QMA-0000	Gasket, crankcase
F15	13	103002-139QMA-0000	Dowel PinΦ8XΦ6.3×14
F15	14	GB/T5787-M6×50	Bolt M6×50
F15	15	104001-139QMA-0000	Stud(M7×176)
F15	16	105001-139QMA-0000	Stud(M7×168)
F15	17	104005-139QMA-0000	Washer, Plug 12×20×2
F15	18	104004-139QMA-0000	Drain Plug M12×15
F15	19	103102-139QMA-0000	Bush, single director
F15	20	GB/T5789-M8×12	Bolt M8×12
F15	21	GB/T97.1-8×16×1.5	Washer 8×16×1.5
F15	22	GB/T5787-M8×35	Bolt M8×35
F15	23	GB/T5787-M8×40	Bolt M8×40

# F16 Carburetor

化油器

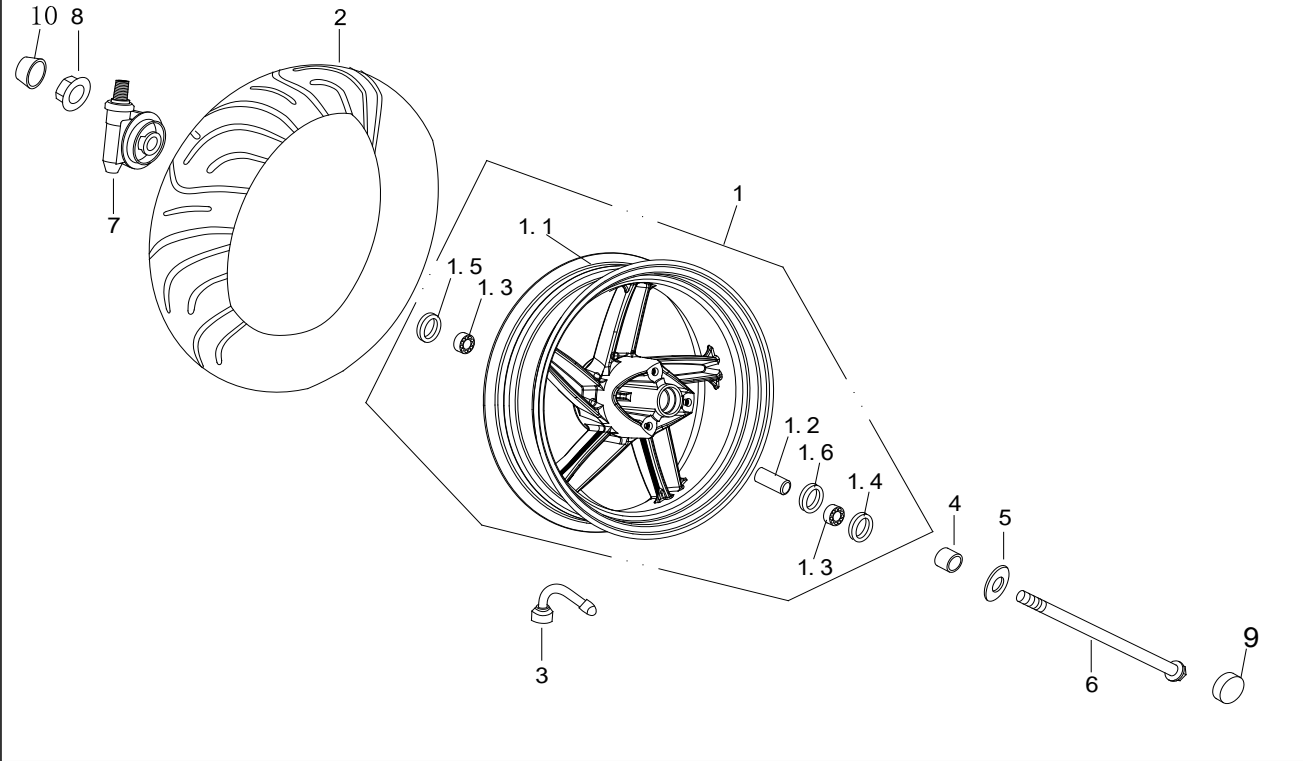


页码	序号	零部件图号	英文名称
Page	NO.	Component and Parts No.	English Name
F16	1	160000-139QMA-0000	Carburetor
F16	1.1	160201-139QMA-0000	Jet carburetor
F16	1.2	160700-139QMA-0000	Carapace Assy.
F16	1.3	160510-139QMA-0000	Starter valve assy.
F16	1.4	16020A-139QMA-0000	Main mete aperture
F16	1.5	160109-139QMA-0000	Bubble canal
F16	1.6	160103-139QMA-0000	Solar term door answer spring
F16	1.7	160210-139QMA-0000	Piston comp. Vacuum assy.



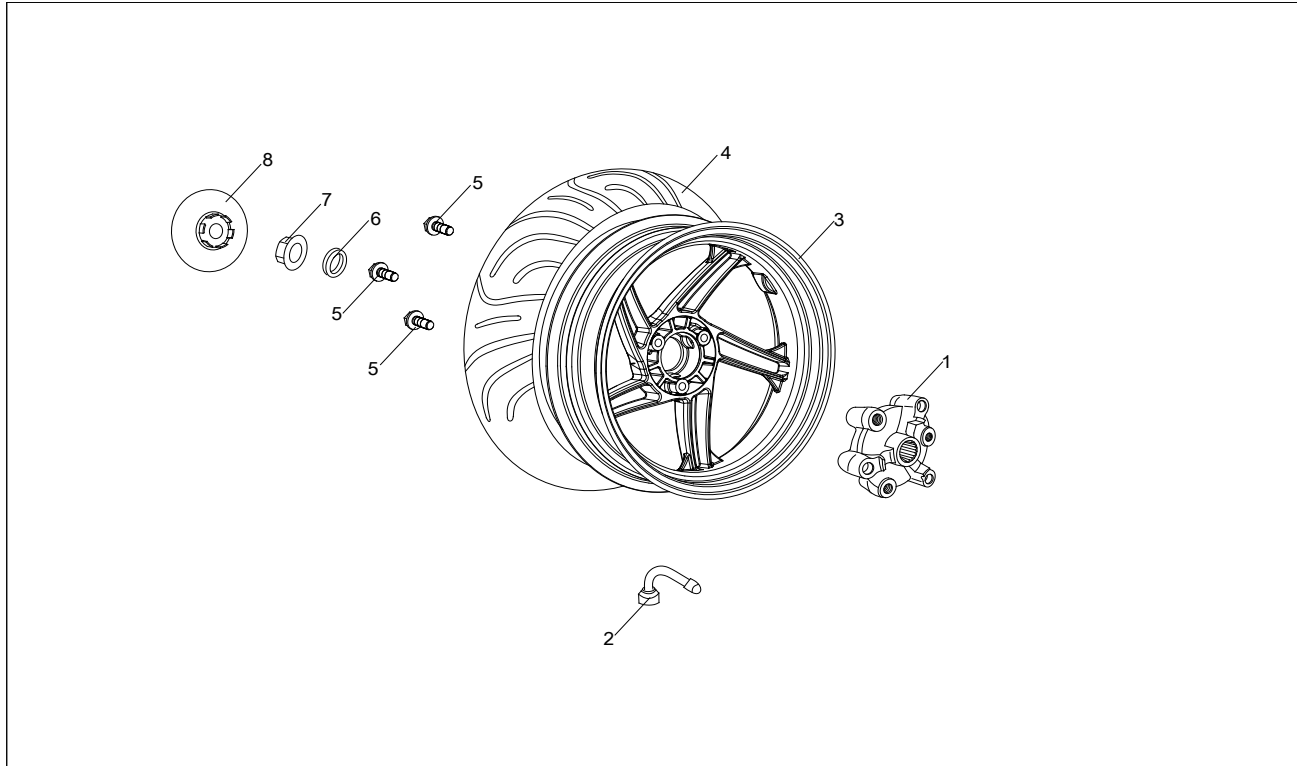
# F17 Front Wheel

前  
轮

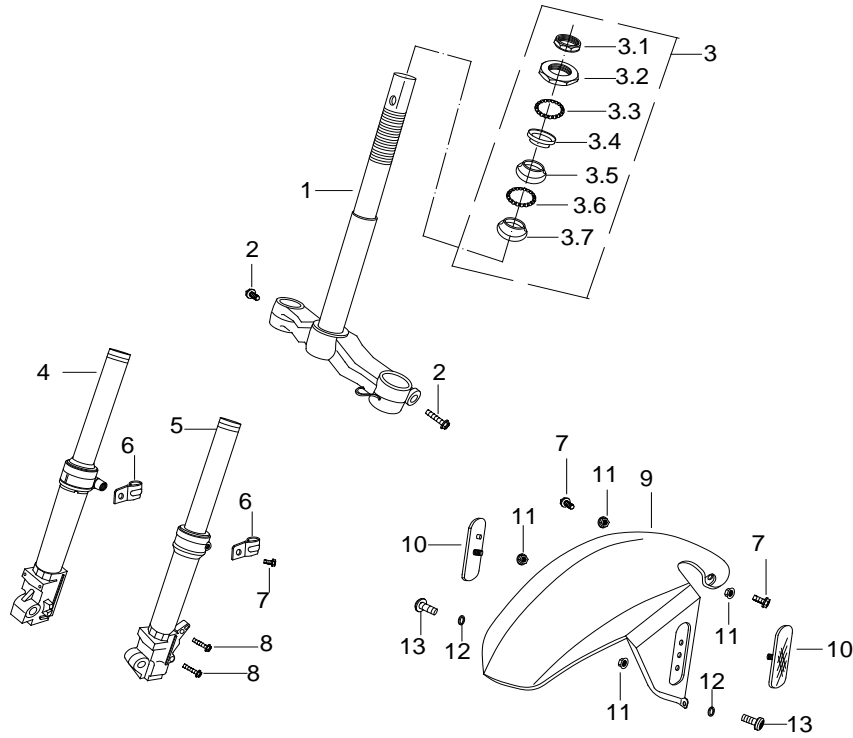


页码	序号	零部件图号	英文名称
Page	NO.	Component and Parts No.	English Name
F17	1	401100-TALB-0000	Fr. wheel rim assy.
F17	1.1	401110-TALB-0100	Fr. wheel rim assy.
F17	1.2	401101-TALB-0000	Center Set
F17	1.3	GB/T278-6201Z	Bearing 6201
F17	1.4	GB10708.1-Y20×35×6	Seal Dust 20x32x5(L.)
F17	1.5	GB10708.1-Y40×50×5	Seal Dust 20x32x5(R.)
F17	1.6	401104-TAU-0000	Partition Convention Glue
F17	2	GB/T2983-130/60-13	Tyre Fr. 130/60-13
F17	3	401120-0000	Valve(130/60-13tyre)
F17	4	401001-TAU-0100	Left bush, front wheel
F17	5	401007-TAU-0000	Gasket
F17	6	401003-TAU-0000	Front wheel axle
F17	7	401200-TALB-0000	Counter assy.
F17	8	GB/T6187-M12×1.25	Nut M12×1.25
F17	9	401005-TA9-0000	Rubber cap L.
F17	10	401006-TA9-0000	Rubber cap R.

后  
轮



页码	序号	零部件图号	英文名称
Page	NO.	Component and Parts No.	English Name
F18	1	40200A-TALB-0000	Rear wheel fender fixing bracket R.
F18	2	401120-0000	Valve(130/60-12 tyre)
F18	3	402110-TALB-0000	Rr. iron wheel
F18	4	GB/T2983-W-130/60-13	Tyre Rr.
F18	5	GB/T5789-M10×1.25×55	Bolt M10×1.25×55
F18	6	402002-TAU-0000	Right bush, Rr. wheel
F18	7	GB/T6187-M16×1.5	Nut M16×1.5
F18	8	601239-TAU-0000	Cap, rear wheel

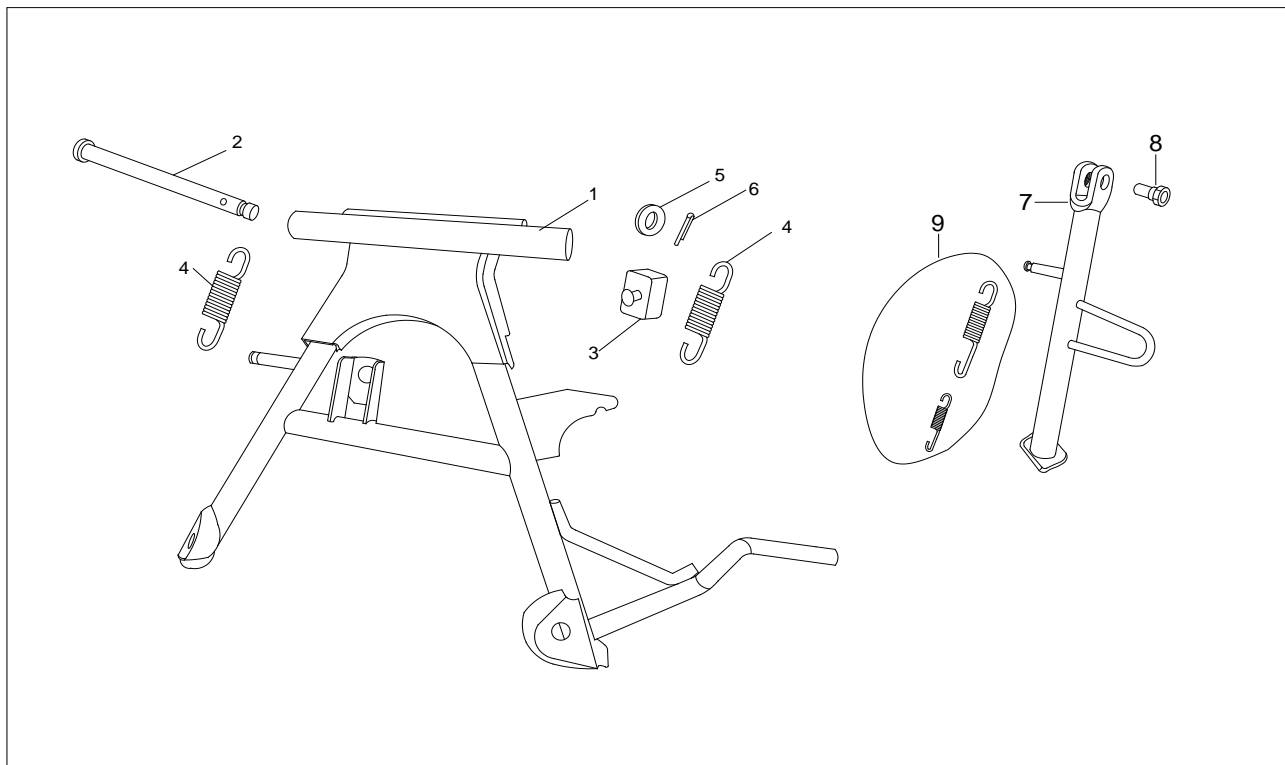


页码	序号	零部件图号	英文名称
Page	NO.	Component and Parts No.	English Name
F19	1	504110-TAU-0000	Steering column welding assy.
F19	2	GB/T5787-M10×1.25×40	BoltM10x1.25x40
F19	3	504500-TAU-0000	Steering column locknut
F19	3,1	504501-TAU-0000	Steering column locknut
F19	3,2	504503-TAU-0000	Upper bearing outer ring
F19	3,3	504510-TAU-0000	Upper ball assy.
F19	3,4	504503-TAU-0000	Upper bearing inner ring
F19	3,5	504504-TAU-0000	Nether bearing outer ring
F19	3,6	504520-TAU-0000	Bottom bearing cup
F19	3,7	504505-TAU-0000	Nether bearing inner ring
F19	4	504300-TAU-0001	Fr.shock absorber L.
F19	5	504400-TAU-0001	Fr.shock absorber R.
F19	6	504010-TAU-0000	Clip
F19	7	GB/T5789-M6×45	Bolt M6×45
F19	8	GB/T5789-M8×1.25×35	Bolt M10×1.25×35
F19	9	604105-TAU-0102	Rear center cover
F19	10	325100-TAU-0000	Side reflector
F19	11	GB/T6177-M6	Nut M6
F19	12	GB/T848-φ5	Washer 5
F19	13	GB/T818-M5×12	Bolt M5×12

F20

Main Stand\ Side Stand

主  
支  
架  
侧  
支  
架

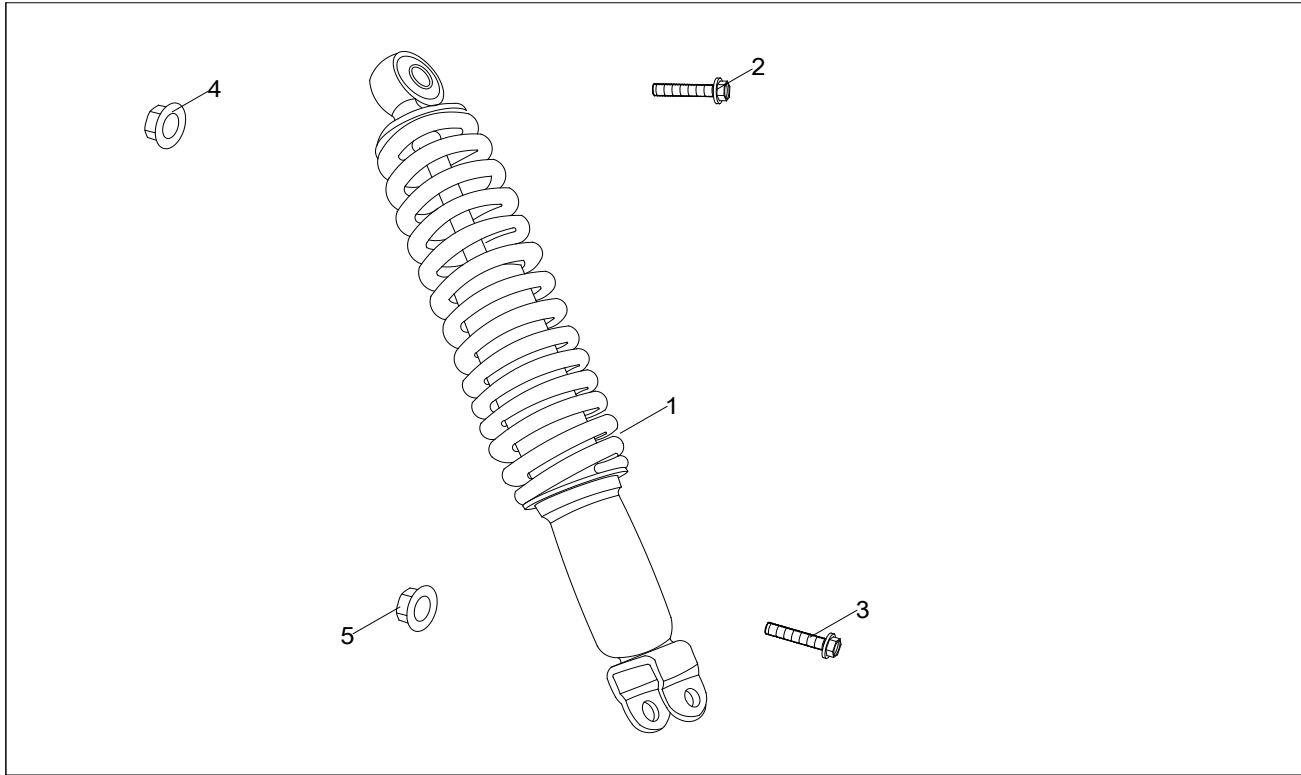


页码	序号	零部件图号	英文名称
Page	NO.	Component and Parts No.	English Name
F20	1	501210-TALB-0000	Main stand welding assy.
F20	2	501201-TALB-0000	Axis, main stand
F20	3	501202-TA9-0000	Main stand cushion rubber
F20	4	501204-TA9-0000	Main stand double spring assy.
F20	5	GB/T97.1-φ8	Washer φ8
F20	6	GB/T91-φ1.5×24	Cotter pin 1.5x24
F20	7	501310-TAU-0000	Side stand welding assy.
F20	8	501301-TAU-0000	Bolt,side stand
F20	9	501320-TAU-0000	Side stand double spring assy.

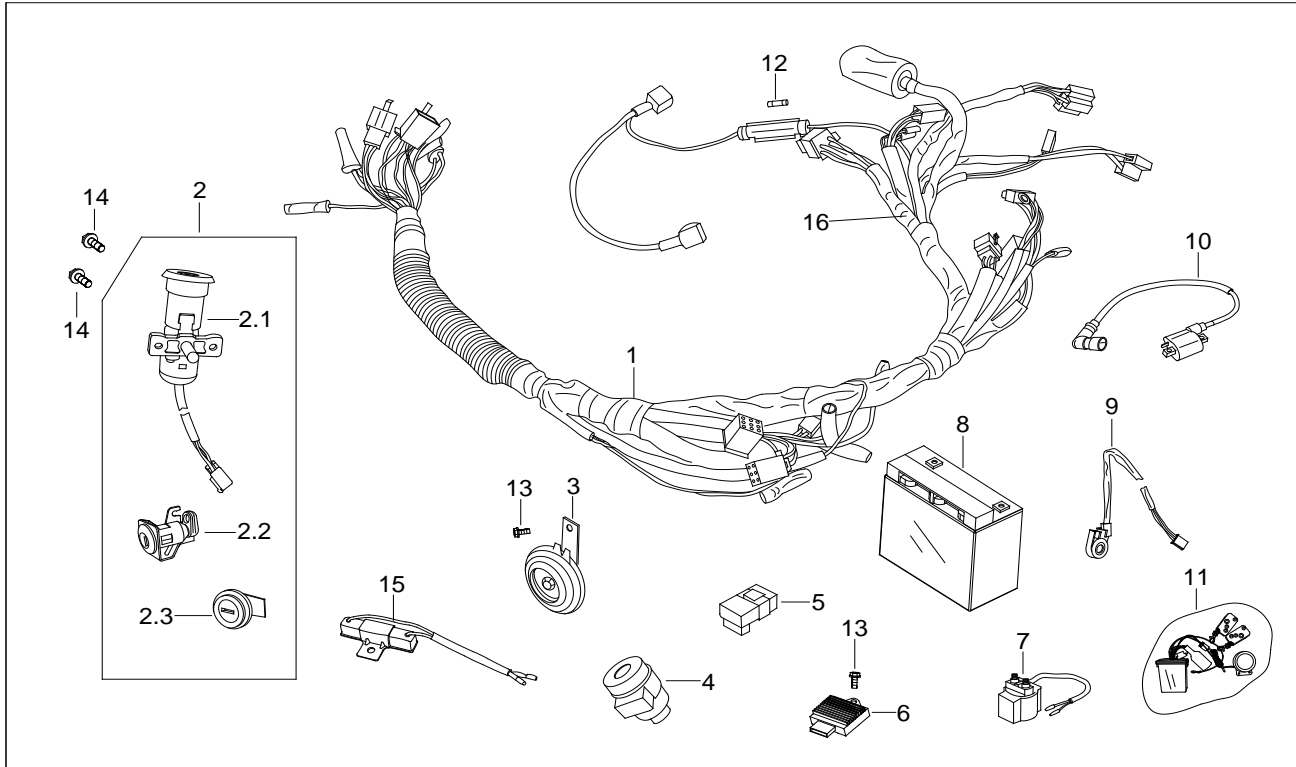
F21

Rear shock absorber

后  
减  
震  
器

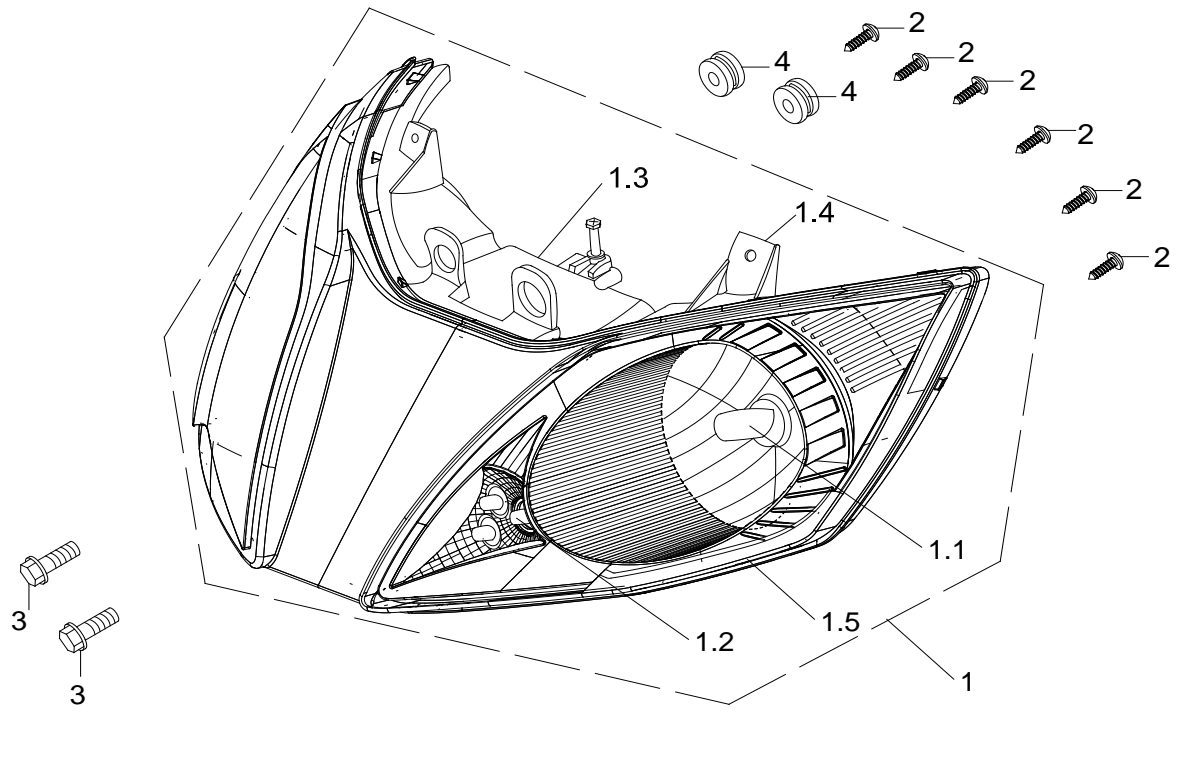


页码	序号	零部件图号	英文名称
Page	NO.	Component and Parts No.	English Name
F21	1	521100-TALB-0000	Rr.shock absorber
F21	2	GB/T5789-M10×40	Bolt M10×40
F21	3	GB/T5789-M8×40	Bolt M8×40
F21	4	GB/T6187-M10×1.25	Nut M10×1.25
F21	5	GB/T6187-M8	Nut M8



页码	序号	零部件图号	英文名称
Page	NO.	Component and Parts No.	English Name
F22	1	304100-TALB-0000	Wire harness assy.
F22	2	350000-TAU-0000	Lock set assy.
F22	2,1	350100-TAU-0000	Ignition switch lock
F22	2,2	350400-TAU-0000	Seat lock assy
F22	2,3	350900-TAU-0000	Centre cover/small cover lock
F22	3	302000-TA9-0000	Horn assy.
F22	4	308500-TA9-0000	Flasher
F22	5	301100-139QMA-0500	Electric ignition assy.
F22	6	301300-139QMA-0000	Rectifier
F22	7	301400-139QMA-0000	Relay , starter
F22	8	305100-TA7-0000	Battery
F22	9	330600-TA9-0000	Off switch assy.
F22	10	301200-139QMA-0000	Ignition coil assy.
F22	11	306100-TA9-0000	Protect against steal component
F22	12	304110-TAU-0000	Fuse
F22	13	GB/T5789-M6×12	Bolt M6x12
F22	14	GB/T5789-M6×16	Bolt M6x16
F22	15	301500-139QMA-0000	Resistance
F22	16	304200-TALB-0000	Assistant cable

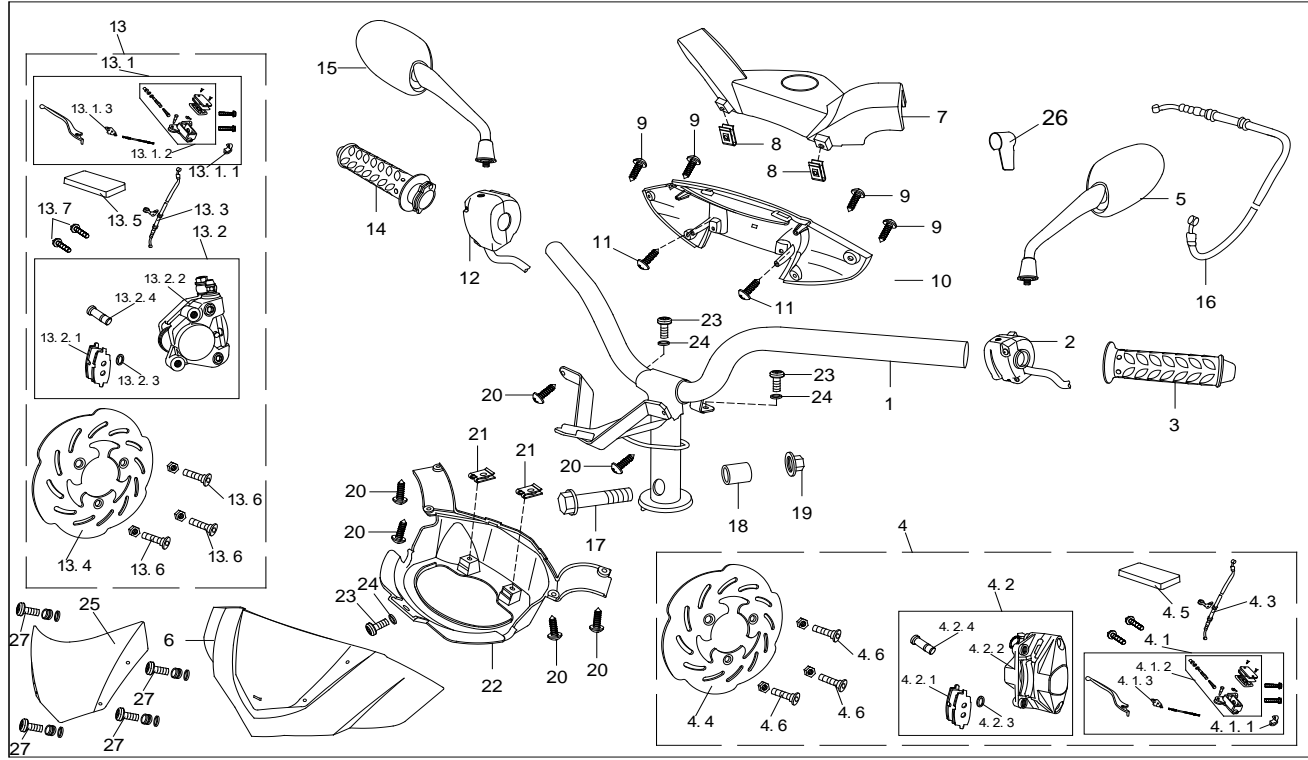
前照灯



页码	序号	零部件图号	英文名称
Page	NO.	Component and Parts No.	English Name
F23	1	320100-TALB-0000	Head light
F23	1.1	320110-TALB-0000	Head light bulb
F23	1.2	320310-TALB-0000	Position light bulb
F23	1.3	320120-TALB-0000	Lamp Housing
F23	1.4	320140-TALB-0000	Head light carapace assy.
F23	1.5	320131-TALB-0000	Head light chimney
F23	2	GB/T845-ST4.2×16	Screw tapping ST4.2×16
F23	3	GB/T5789-M6×16	Bolt M6×16
F23	4	320104-TAU-0000	Head light shock absorber glue

# F24 Operating System

操纵系统

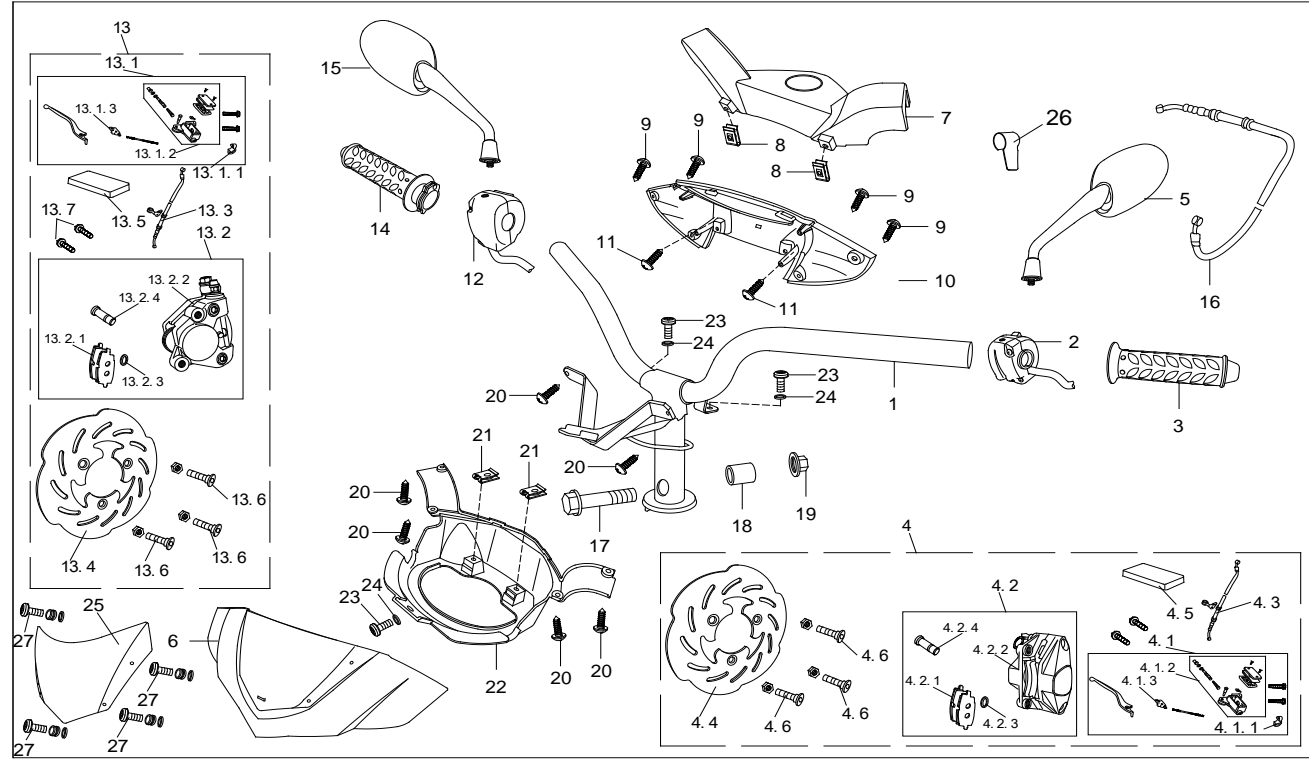


页码	序号	零部件图号	英文名称
Page	NO.	Component and Parts No.	English Name
F24	1	505100-TAU-0000	Direction handlebar welding assy.
F24	2	330100-TACF-0000	Handle switch assy. L.
F24	3	530301-TAC-0000	Left grip rubber assy.
F24	4	406000-TALB-0000	Rr. hydraulic brake assy.
F24	4.1	406100-TALB-0000	Rr. hydraulic Master Cylinder Assy
F24	4.1.1	406101-TALB-0000	Rr. hydraulic Brake Master Cylinder
F24	4.1.2	406110-TALD-0000	Rr. hydraulic Master Cylinder
F24	4.1.3	406120-TALD-0000	Rr. hydraulic brake
F24	4.2	406400-TALD-0000	Rr. Hydraulic Caliper Assy
F24	4.2.1	406210-TALB-0000	Rr. Brake Shoe Assy
F24	4.2.2	406200-TALB-0000	Rr. Hydraulic Brake disc assy.
F24	4.2.3	406203-TALB-0000	Rr. hydraulic brake spring parcel
F24	4.2.4	404262-TALB-0000	Brake Shoe orientation annul
F24	4.3	406300-TALB-0000	Rr. Hydraulic Brake Hose Assy
F24	4.4	406001-TALB-0000	Rr. Hydraulic Brake disc
F24	4.5	60421A-TALB-0000	Back small mire cover
F24	4.6	非标-M8×35	Brake disc assy. Bolt
F24	5	610100-TALB-0000	Rear-view mirror comp,left
F24	6	601101-TALB-0002	Front part, head cover
F24	7	601129-TAU-0000	Upper cover,direction handlebar
F24	8	QC/T330-ST4.2	Nut ST4.2
F24	9	GB/T845-ST4.8×12	Screw tapping ST4.8×12
F24	10	601102-TALB-0001	Rear part, head cover
F24	11	GB/T845-ST4.8×16	Screw tapping ST4.8×16
F24	12	330200-TAC-0000	Handle switch assy. R.
F24	13	404000-TALB-0000	Fr. hydraulic brake assy.
F24	13.1	404100-TALB-0000	Master Cylinder Assy



# F24 Operating System

操纵系统

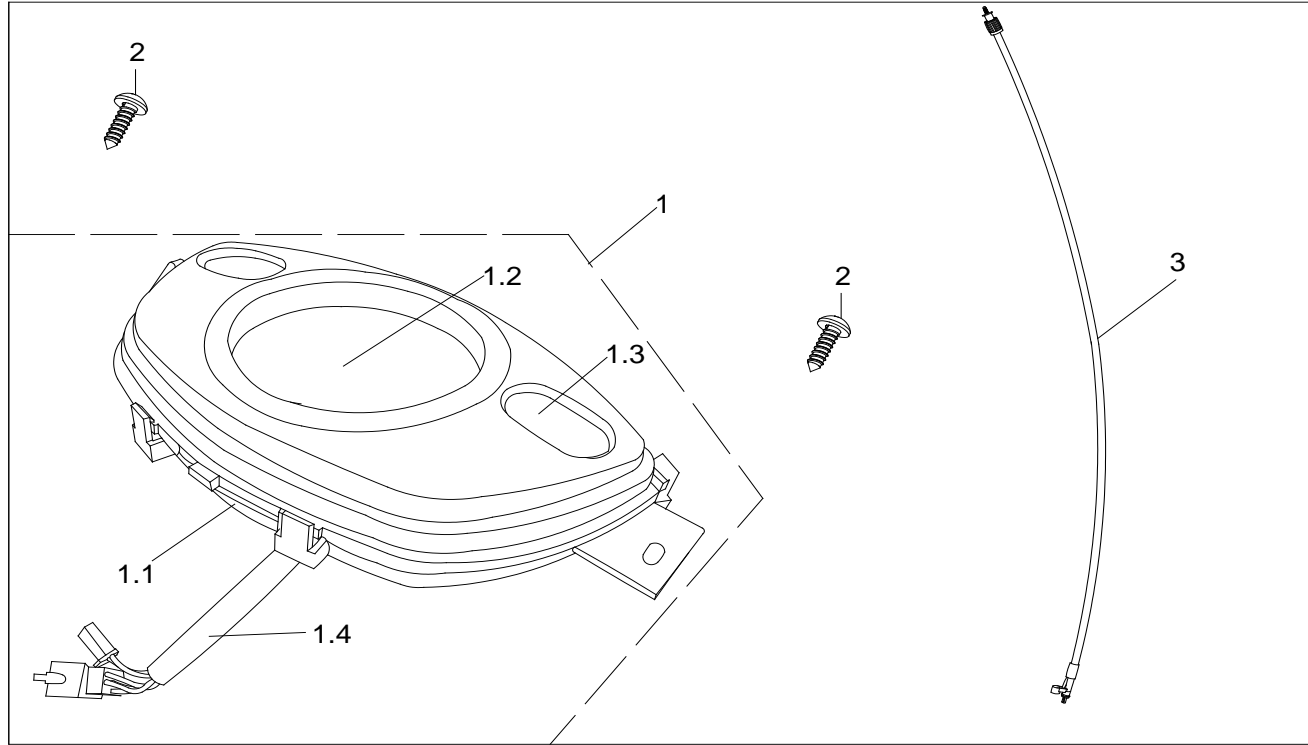


页码	序号	零部件图号	英文名称
Page	NO.	Component and Parts No.	English Name
F24	13.1.1	404101-TALB-0000	Brake Master Cylinder
F24	13.1.2	404110-TALB-0000	Master Cylinder
F24	13.1.3	404120-TALB-0000	Fr. hydraulic brake
F24	13.2	404500-TALB-0000	Caliper Assy
F24	13.2.1	404210-TALB-0000	Brake Shoe Assy
F24	13.2.2	404200-TALB-0000	Brake disc assy.
F24	13.2.3	404203-TALB-0000	Fr. hydraulic brake spring parcel
F24	13.2.4	404262-TALB-0000	Brake Shoe orientation annul
F24	13.3	404300-TALB-0000	Brake Hose Assy
F24	13.4	404001-TALB-0000	Brake disc
F24	13.5	60411A-TALD-0000	Front small mire cover
F24	13.6	非标-M8*35	Brake disc assy. Bolt
F24	13.7	GB/T5789-M8*40	Bolt M8*40
F24	14	530400-TAC-0000	Greaser assy.
F24	15	610200-TALB-0000	Rear-view mirror comp,right
F24	16	540400-TALB-0000	Throttle cable assy.
F24	17	GB/T5789-M10×1.25×55	Bolt M10×1.25×55
F24	18	505001-TAU-0000	Bush,direction handlebar
F24	19	GB/T6187-M10×1.25	Nut M10×1.25
F24	20	GB/T845-ST4.2×12	Screw tapping ST4.2×12
F24	21	GB/T303-M5	Nut M5
F24	22	601131-TAU-0000	Neather cover,direction handlebar
F24	23	GB/T818-M5×12	Bolt M5×12
F24	24	GB/T97.1-φ5	Washer 5
F24	25	606201-TALB-0000	windshield
F24	26	103003-139QMA-0100	Back skid vitta nip
F24	27	601132-TALB-0000	Lock nail

**F25**

**Meter**

仪表

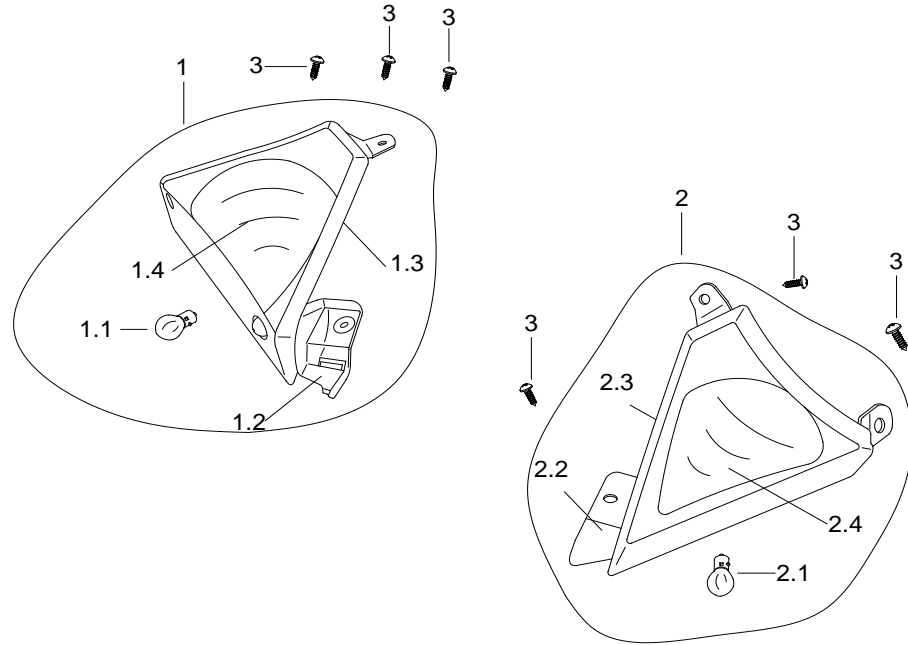


页码	序号	零部件图号	英文名称
Page	NO.	Component and Parts No.	English Name
F25	1	340200-TALB-0000	Meter assy.
F25	1.1	3402C0-TALB-0000	Meter carapace assy.
F25	1.2	3402B0-TALB-0000	Meter core assy.
F25	1.3	340210-TALB-0000	Meter Bulb
F25	1.4	340220-TALB-0000	Base
F25	2	GB/T845-ST4.8×12	Screw tapping ST4.8×12
F25	3	540C00-TALB-0000	Odometer tube

**F26**

Front Direction indicator assy

前  
转  
向  
灯

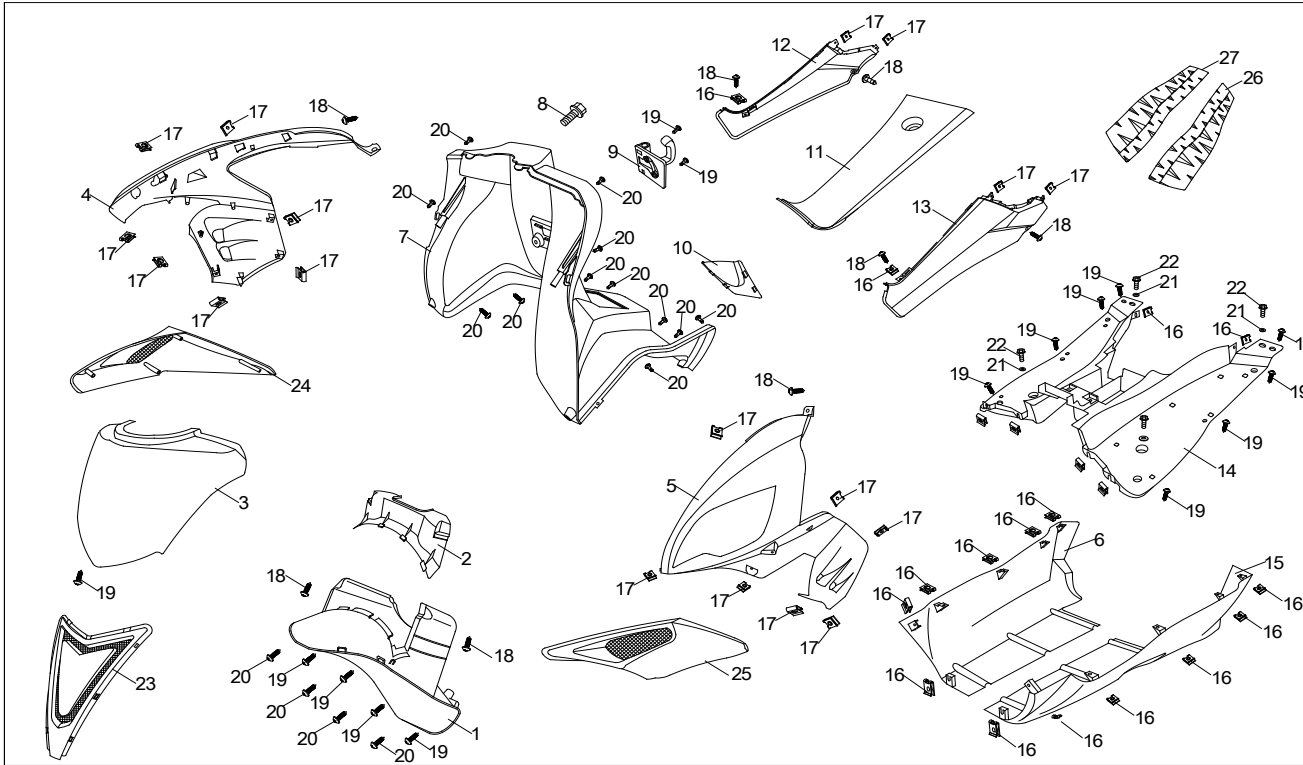


页码	序号	零部件图号	英文名称
Page	NO.	Component and Parts No.	English Name
F26	1	322200-TAU-0000	Fr. turning light assy. R.
F26	1.1	322110-TAU-0000	Front turning light bulb
F26	1.2	22240-TAU-0000	Front turning light carapace assy. (R.)
F26	1.3	322220-TAU-0000	Front turning light lamp holder(R.)
F26	1.4	322231-TAU-0000	Fr. Right Turn Signal Assy
F26	2	322100-TAU-0000	Fr. turning light assy. L.
F26	2.1	322110-TAU-0000	Front turning light bulb.R
F26	2.2	322140-TAU-0000	Front turning light carapace assy. (L.)
F26	2.3	322120-TAU-0000	Front turning light lamp holder(L.)
F26	2.4	322131-TAU-0000	Fr. Left Turn Signal Assy
F26	3	GB/T845-ST4.2×12	Screw tapping ST4.2×12

# F27

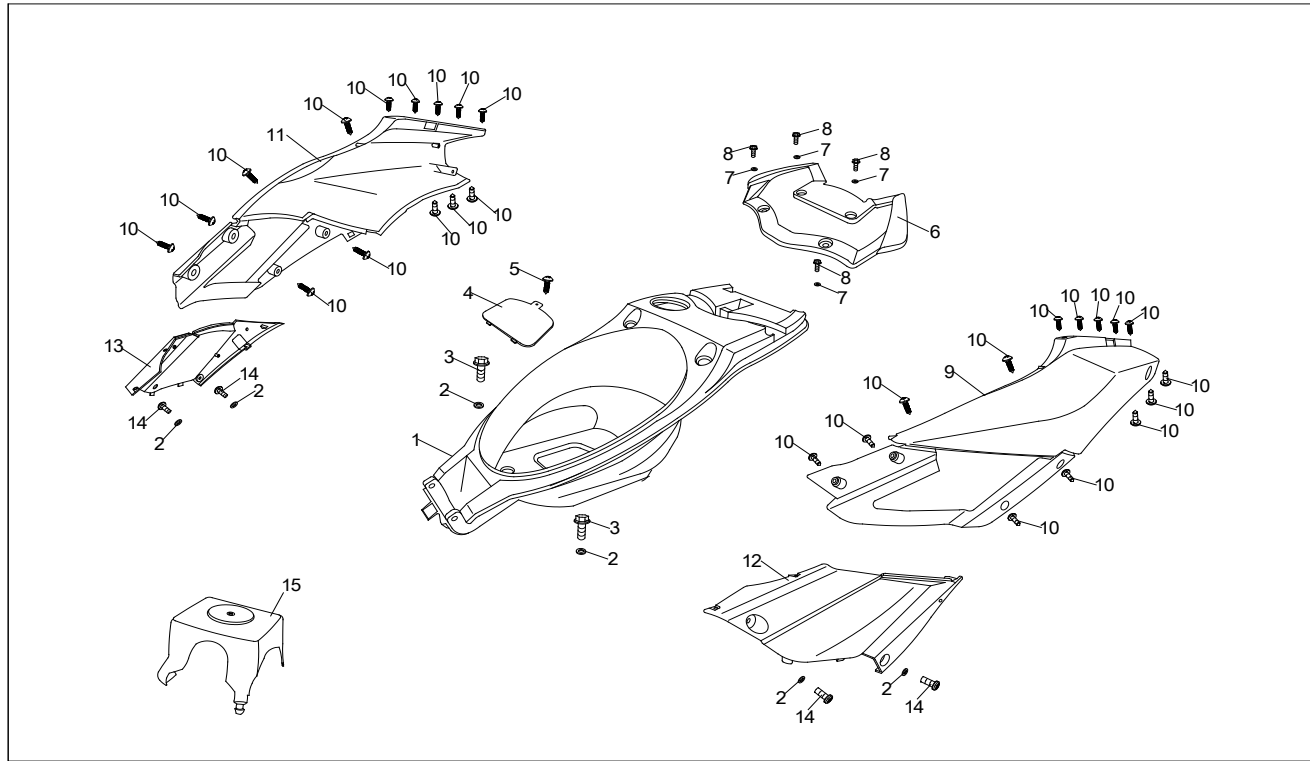
## Front cover/Pedal

前罩  
脚踏板



页码	序号	零部件图号	英文名称
Page	NO.	Component and Parts No.	English Name
F27	1	601407-TAU-0000	Frame Fr. fender
F27	2	601439-TAU-0000	Middle cover frame Fr. Fender
F27	3	601103-TALB-0001	Upper part, Fr. cover
F27	4	601602-TALB-0002	Front center cover right
F27	5	601601-TALB-0002	Front center cover left
F27	6	601429-TAU-0102	Right part bottom cover
F27	7	601609-TAU-0000	Fr. Luggage box
F27	8	GB/T5789-M6×12	Bolt M6×12
F27	9	601504-TACF-0000	Helmet hook
F27	10	601303-TAU-0000	Fr. luggage box
F27	11	601403-TAU-0000	Battery box cap
F27	12	601604-TAU-0000	Inner lid, Ri. luggage box
F27	13	601603-TAU-0000	Inner lid, Ri. luggage box
F27	14	601401-TAU-0000	Pedal
F27	15	601405-TAU-0102	Left part bottom cover
F27	16	QC/T303-ST4.2	Clip(4.2)
F27	17	QC/T303-ST4.8	Clip(4.8)
F27	18	GB/T845-ST4.2×12	Screw tapping ST4.2×12
F27	19	GB/T845-ST4.2×16	Screw tapping ST4.2×16
F27	20	GB/T845-ST4.8×16	Screw tapping ST4.8×16
F27	21	GB/T96-φ6	Washer 6
F27	22	GB/T5789-M6×16	Bolt M6×16
F27	23	601105-TALB-0102	Upper part aeration cover, Fr. Cover
F27	24	601631-TALB-0000	Front center cover right aeration cover
F27	25	601616-TALB-0000	Front center cover left aeration cover
F27	26	601411-TAU-0000	Left pedal eraser
F27	27	601412-TAU-0000	Right pedal eraser

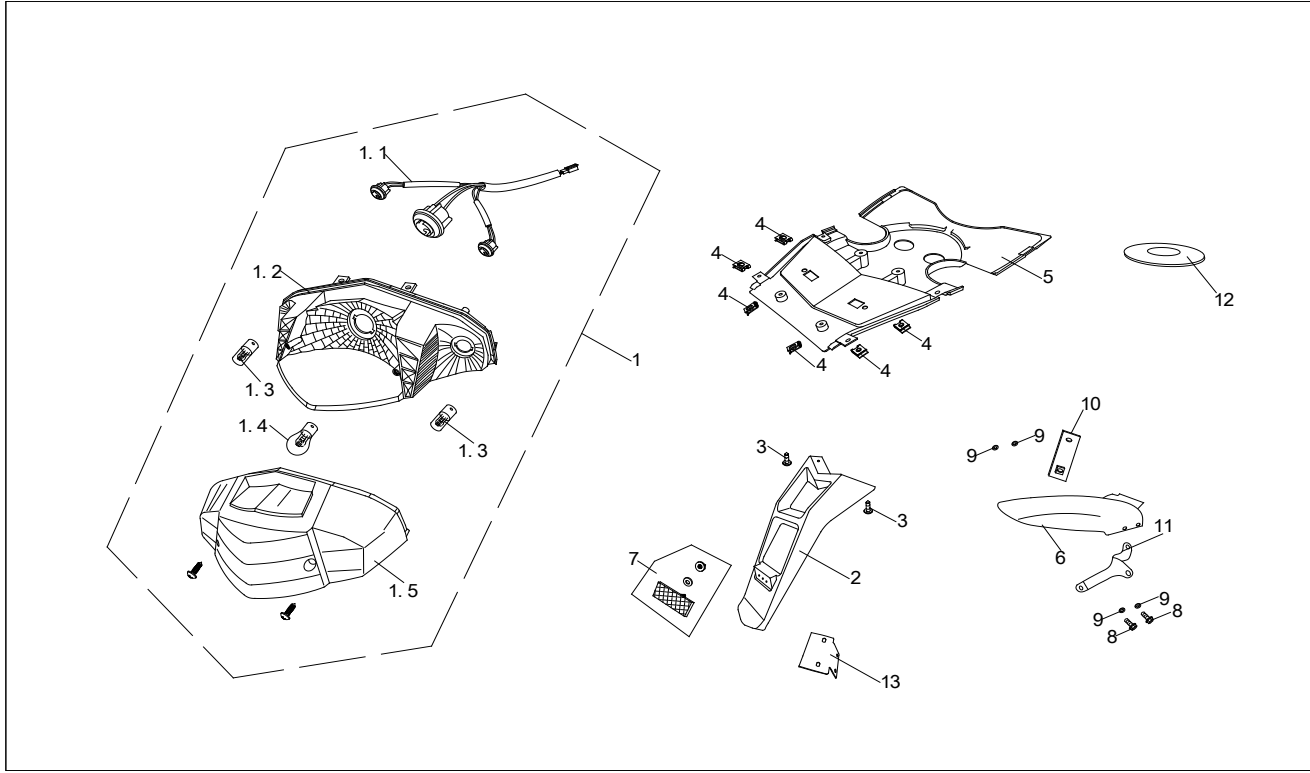
车  
体  
盖  
置  
物  
箱



页码	序号	零部件图号	英文名称
Page	NO.	Component and Parts No.	English Name
F28	1	601501-TAU-0000	Rr. luggage box
F28	2	GB/T97.1-φ6	Washer 6
F28	3	GB/T5789-M6×12	Bolt M6×12
F28	4	601502-TAU-0000	Inner lid, Rr. luggage box
F28	5	GB/T845-ST4.2×16	Screw tapping ST4.2×16
F28	6	512302-TAU-0000	Fr. luggage box
F28	7	GB/T97.1-φ8	Washer 8
F28	8	GB/T5789-M8×30	Bolt M8×30
F28	9	601201-TAU-0102	Left. cover
F28	10	GB/T845-ST4.2×12	Screw tapping ST4.2×12
F28	11	601202-TAU-0102	Right. cover
F28	12	601605-TAU-0000	Inner lid, L. luggage box
F28	13	601606-TAU-0000	Inner lid, R. luggage box
F28	14	50100B-TAU-0000	Bolt M6×12
F28	15	160001-TA9-0000	Carburetor rubber cover

F29 Taillight assy./Rear fender

尾灯  
后挡泥板

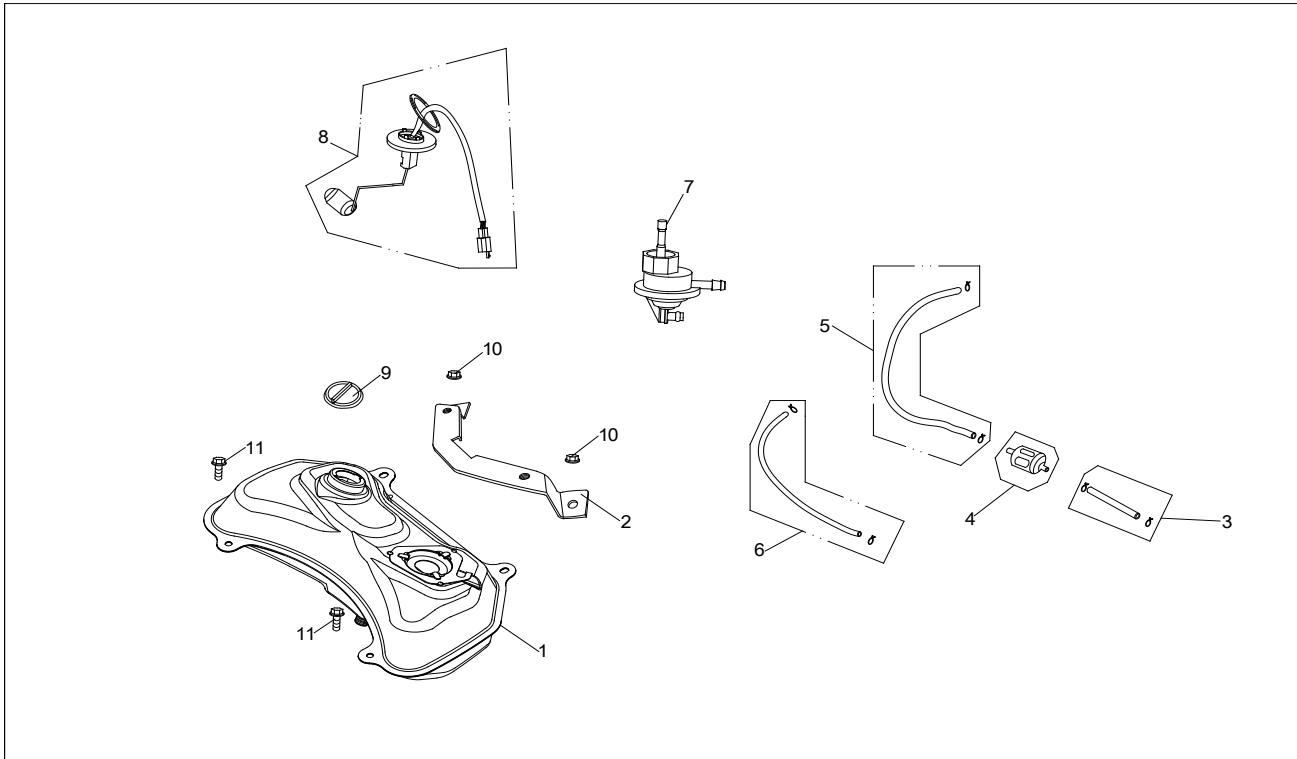


页码	序号	零部件图号	英文名称
Page	NO.	Component and Parts No.	English Name
F29	1	321100-TAU-0000	Tail light
F29	1,1	321110-TAU-0000	Bulb,taillight
F29	1,2	321140-TAU-0000	Crust,taillight
F29	1,3	321120-TAU-0000	Lamp-socket,taillight
F29	1,4	323110-TAU-0000	Bulb ,turning light
F29	1,5	321131-TAU-0000	Lampshade,taillight
F29	2	604211-TAU-0000	Rr. fender
F29	3	GB/T845-ST4.8×16	Screw tapping ST4.8×16
F29	4	QC/T330-ST4.2	Clip(4.2)
F29	5	601406-TAU-0000	Battery box cap
F29	6	604201-TALB-0000	Rear wheel fender
F29	7	325200-TA9-0000	Rear reflector
F29	8	GB/T5789-M6×12	Bolt M6×12
F29	9	GB/T97.1-φ6	Washer 6
F29	10	501901-TAC-0000	Support,rear wheel fender(L.)
F29	11	501902-TAC-0000	Support,rear wheel fender(R.)
F29	13	501620-TAU-0000	Back license plate bracket assy.

F30

Fuel tank

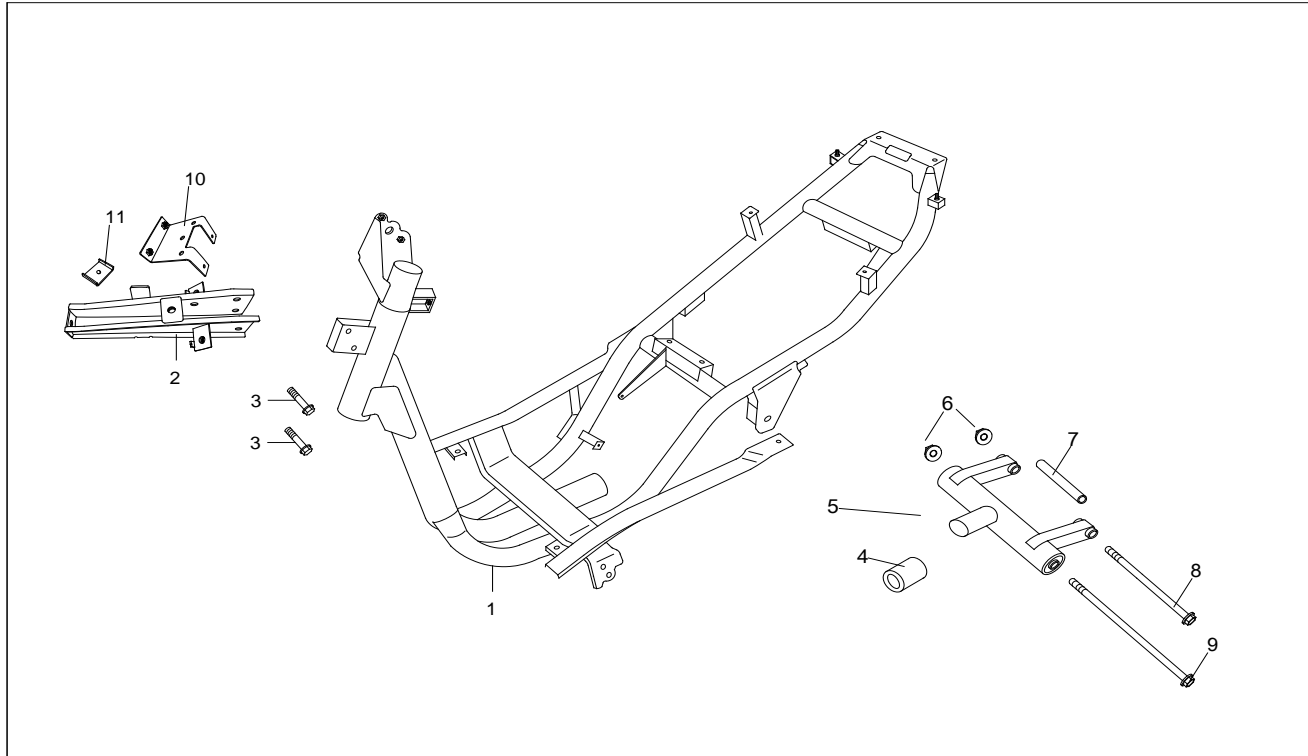
油箱



页码	序号	零部件图号	英文名称
Page	NO.	Component and Parts No.	English Name
F30	1	515010-TAU-0000	Fuel tank
F30	2	5010P0-TAU-0000	Oil tube clip, Fr. brake
F30	3	515140-TALB-0000	Oil tube B
F30	4	515120-TA9-0000	Oil filter
F30	5	515130-TALB-0000	Oil tube A
F30	6	515190-TAU-0000	Tube, negative pressure
F30	7	515100-TA9-0000	Fuel switch assy.
F30	8	340100-TAU-0000	Fuel transducer assy.
F30	9	350300-TAU-0000	Fuel tank lock assy.
F30	10	GB/T6170-M6	Nut M6
F30	11	GB/T5789-M6×12	Bolt M6×12

# F31 Frame Body

车架



页码	序号	零部件图号	英文名称
Page	NO.	Component and Parts No.	English Name
F31	1	501100-TALB-0000	Frame welding assy.
F31	2	501030-TALB-0000	Horn bracket welding assy.
F31	3	GB/T5789-M6×35	Bolt M6×35
F31	4	501701-TAC-0000	Rubber , hanging rack welding assy.
F31	5	501710-TALB-0000	Enging hanging rack welding assy.
F31	6	GB/T6187-M10×1.25	Nut M10×1.25
F31	7	501702-TA9-0000	Middle bush
F31	8	501704-TALB-0000	Assembling axis , engine
F31	9	501703-TALB-0000	Assembling axis , engine hanging rack
F31	10	320214-TALB-0000	Head light bracket
F31	11	501033-TALB-0000	Horn bracket welding board











